

EXH and EXU-H Technical Data Low Lift Pallet Trucks

[EXH 14/Li-Ion](#)

[EXH 16/Li-Ion](#)

[EXH 18/Li-Ion](#)

[EXH 20/Li-Ion](#)

[EXH 20 Plus/Li-Ion](#)

[EXH 25/Li-Ion](#)

[EXH 30/Li-Ion](#)

[EXU-H 18](#)

[EXU-H 20/Li-Ion](#)



EXH and EXU-H Low Lift Pallet Trucks
Compact all-rounder for challenging applications

This specification sheet according to VDI Guideline 2198 only provides the technical values for the standard truck.
Different tyres, other masts, additional equipment, etc. may produce different figures.



		STILL	STILL	STILL	STILL	STILL	STILL	STILL	STILL	STILL	STILL		
Features	1.1	Manufacturer		STILL	STILL	STILL	STILL	STILL	STILL	STILL	STILL		
	1.2	Manufacturer's model designation		EXH 14/Li-Ion	EXH 16/Li-Ion	EXH 18/Li-Ion	EXH 20/Li-Ion	EXH 20 Plus/Li-Ion	EXH 25/Li-Ion	EXH 30/Li-Ion	EXU-H 18	EXU-H 20/Li-Ion	
	1.3	Drive		Electric	Electric	Electric	Electric	Electric	Electric	Electric	Electric	Electric	
	1.4	Operation		Pedestrian truck	Pedestrian truck	Pedestrian truck	Pedestrian truck	Pedestrian truck	Pedestrian truck	Pedestrian truck	Pedestrian truck	Pedestrian truck	
	1.5	Capacity/load	Q	kg	1400	1600	1800	2000	2000 (2300)	2500	3000	800/1800	800/2000
	1.6	Load centre distance	c	mm	600	600	600	600	600	600	600	600	600
	1.8	Load distance	x	mm	893/965 ¹	893/965 ¹	893/965 ¹	893/965 ¹	893/965 ¹	975/895 ¹	975/895 ¹	950/890 ¹	950/890 ¹
	1.9	Wheel base	y	mm	1160/1232 ¹	1160/1232 ¹	1230/1302 ¹	1230/1302 ¹	1305/1377 ¹	1453/1373 ¹	1453/1373 ¹	1404/1338 ¹	1404/1338 ¹
	2.1	Service weight incl. battery		kg	329	329	412	431	501	819	819	558	603
Weights	2.2	Axle weight, laden	drive end/load end	kg	609/1120	672/1340	718/1494	858/1643	858/1643	1428/1927	1572/2246	822/1539	937/1664
	2.3	Axle weight, unladen	drive end/load end	kg	256/73	317/95	317/95	390/111	390/111	662/157	662/157	411/145	458/145
	3.1	Tyres			Polyurethane	Polyurethane	Polyurethane	Polyurethane	Polyurethane	Polyurethane	Polyurethane	Polyurethane	Polyurethane
Tyres/chassis	3.2	Tyre size	drive end	mm	Ø 230 x 75	Ø 230 x 75	Ø 230 x 75	Ø 230 x 75	Ø 230 x 75	Ø 230 x 90	Ø 230 x 90	Ø 230 x 75	Ø 230 x 75
	3.3	Tyre size	load end	mm	Ø 85 x 85 (85 x 80) ²	Ø 85 x 85 (85 x 80) ²	Ø 85 x 85 (85 x 80) ²	Ø 85 x 85 (85 x 80) ²	Ø 85 x 85 (85 x 80) ²	Ø 85 x 85 (85 x 60) ²	Ø 85 x 85 (85 x 60) ²	Ø 85 x 90 (Ø 85 x 65) ²	Ø 85 x 90 (Ø 85 x 65) ²
	3.4	Support roller size		mm	Ø 2x 125 x 40	Ø 2x 125 x 40	Ø 2x 125 x 40	Ø 2x 125 x 40	Ø 2x 125 x 40	Ø 2x 125 x 60	Ø 2x 125 x 60	2x Ø 125 x 40	2x Ø 125 x 40
	3.5	Number of wheels (x = driven)	drive end/load end		1x + 2/2 (1x + 2/4) ²	1x + 2/2 (1x + 2/4) ²	1x + 2/2 (1x + 2/4) ²	1x + 2/2 (1x + 2/4) ²	1x + 2/2 (1x + 2/4) ²	1x + 2/2 (1x + 2/4) ²	1x + 2/2 (1x + 2/4) ²	1x + 2/4 ²	1x + 2/4 ²
	3.6	Track width	drive end/load end	b ₁₀ /b ₁₁ mm	482/395	482/395	482/395	482/395	482/395	502/380	502/380	482/380 (340)	482/380 (340)
Basic dimensions	4.4	Lift		h ₃ mm	125	125	125	125	125	125	125	550	550
	4.9	Drawbar height in driving position	min./max.	h ₁₄ mm	810/1205	810/1205	810/1205	810/1205	810/1205	740/1230	740/1230	720/1240	720/1240
	4.15	Fork height lowered		h ₁₃ mm	86	86	86	86	86	86	86	85	85
	4.19	Total length		l ₁ mm	1579	1579	1649	1649	1719	1855	1855	1807	1882
	4.20	Length including fork backs		l ₂ mm	429	429	499	499	569	705 ⁵	705 ⁵	617	692
	4.21	Total width		b ₁ /b ₂ mm	720	720	720	720	720	720	720	720	720
	4.22	Fork dimensions	DIN ISO 2331	s/e/l mm	55/165/1150	55/165/1150	55/165/1150	55/165/1150	55/165/1150	55/165/1150	55/165/1150	50/180/1190	50/180/1190
	4.25	Overall fork width		b ₅ mm	520/540/560/680	520/540/560/680	520/540/560/680	520/540/560/680	520/540/560/680	520/560/680	520/560/680	560 (520)	560 (520)
	4.32	Ground clearance, centre of wheel base		m ₂ mm	32/157	32/157	32/157	32/157	32/157	30	30	20/145	20/145
	4.34.1	Working aisle width with 1000 x 1200 pallet crossways		A _{st} mm	2174/2238 ¹	2174/2238 ^{1,3}	2247/2311 ^{1,4}	2247/2311 ^{1,4}	2319/2383 ¹	2514/2481 ^{1,5}	2514/2481 ^{1,5}	2405/2374 ¹	2408/2449 ¹
	4.34.2	Working aisle width with 800 x 1200 pallet lengthways		A _{st} mm	2069/2101 ¹	2069/2101 ^{1,3}	2142/2174 ^{1,4}	2142/2174 ^{1,4}	2211/2246 ¹	2424/2399 ^{1,5}	2424/2399 ^{1,5}	2317/2292 ¹	2392/2367 ¹
	4.35	Turning radius		W _a mm	1365/1437 ¹	1365/1437 ^{1,3}	1438/1510 ^{1,4}	1438/1510 ^{1,4}	1510/1582 ¹	1765/1695 ^{1,5}	1765/1695 ^{1,5}	1645/1585 ¹	1720/1660 ¹
	Performance data	5.1	Driving speed	laden/unladen	km/h	6/6	6/6	6/6	6/6	6/6	6/6	6/6	6/6
5.2		Lifting speed	laden/unladen	m/s	0.035/0.047	0.035/0.046	0.031/0.046	0.033/0.042	0.026/0.042	0.028/0.036	0.026/0.036	0.115/0.184	0.115/0.184
5.3		Lowering speed	laden/unladen	m/s	0.064/0.027	0.07/0.028	0.073/0.028	0.069/0.035	0.06/0.035	0.066/0.072	0.065/0.072	0.326/0.130	0.326/0.130
5.8		Max. gradeability kB 5	laden/unladen	%	13/20	10/20	9/20	9/20	9/20	12/20	10/20	12/24	10/24
5.9		Acceleration speed (to 10 m)	laden/unladen	s	7.0/6.6	7.1/6.6	6.9/6.4	7.1/6.4	7.1/6.4	7.4/6.56	7.7/6.56	8.45/7.10	8.45/7.10
5.10		Service brake			Electromagnetic	Electromagnetic	Electromagnetic	Electromagnetic	Electromagnetic	Electromagnetic	Electromagnetic	Electromagnetic	Electromagnetic
Electric engine	6.1	Drive motor, rating S2 60 min.		kW	1.1	1.1	1.3	1.3	1.3	1.5	1.5	1.2	1.2
	6.2	Lift motor, rating at S3 15%		kW	1.0	1.0	1.0	1.2	1.2	1.5	1.5	1.2	1.2
	6.3	Battery according to DIN 43531/35/36 A, B, C, no			Li-Ion	Li-Ion	British Standard	British Standard	2PzS	2PzS	2PzS	British Standard	2PzS
	6.4	Battery voltage/rated capacity K _s		V/Ah	24/62 or 125	24/62 or 125	24/150	24/150	24/250	24/250	24/250	24/150	24/250
	6.5	Battery weight ±5% (depending on manufacturer)		kg	22	22	140	140	210	290	290	144	191
	6.6	Energy consumption according to VDI cycle		kWh/h	0.272	0.272	0.259	0.3	0.3	0.48	0.57	0.38	0.38
Misc.	8.1	Transmission control			AC control	AC control	AC control	AC control	AC control	AC control	AC control	AC control	
	8.4	Noise level (at operator's ear)		dB(A)	57	63	63	63	63	60	60	62	62

¹ Initial lift raised/lowered
² Tandem load rollers
³ +73 mm with British Standard battery, +142 mm with 2PzS battery
⁴ +69 mm with 2PzS battery
⁵ +75 mm with 3PzS battery; +150 mm with 4PzS battery

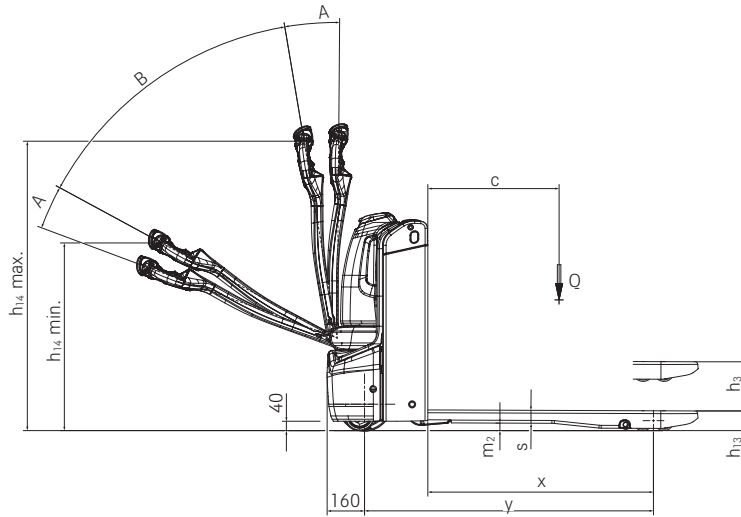
Optional operating platform (pedestrian/standing)

		EXU 20 S	EXU 22 S		
1.2	Manufacturer's model designation				
1.4	Operation	Standing	Standing		
2.1	Service weight incl. battery	kg	610	659	
2.2	Axle weight, laden	drive end/load end	kg	896/1689	934/1851
2.3	Axle weight, unladen	drive end/load end	kg	384/104	384/104
4.9	Drawbar height in driving position	min./max.	h ₁₄ mm	740/1250	740/1250
4.19	Total length	pedestrian/standing	l ₁ mm	1890/2270 ¹	1980/2360 ¹
4.20	Length including fork backs	pedestrian/standing	l ₂ mm	740/1140 ¹	830/1210 ¹
4.34.1	Working aisle width with 1000 x 1200 pallet crossways	pedestrian/standing	A _{st} mm	1987 ¹ /2162	2078 ¹ /2253
4.34.2	Working aisle width with 800 x 1200 pallet lengthways	pedestrian/standing	A _{st} mm	2037 ¹ /2212	2128 ¹ /2303
4.35	Turning radius/initial lift lowered	pedestrian/standing	W _a mm	1600 ¹ /1775	1690 ¹ /1865
	Turning radius/initial lift raised	pedestrian/standing	W _a mm	1520/1695 ¹	1610/1785 ¹
5.1	Driving speed	laden/unladen	km/h	6/6	6/6

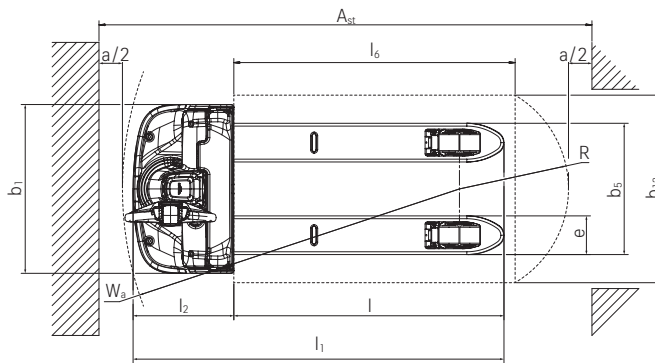
¹ Initial lift raised

EXH Low Lift Pallet Truck Technical Drawings

A = braking
B = driving

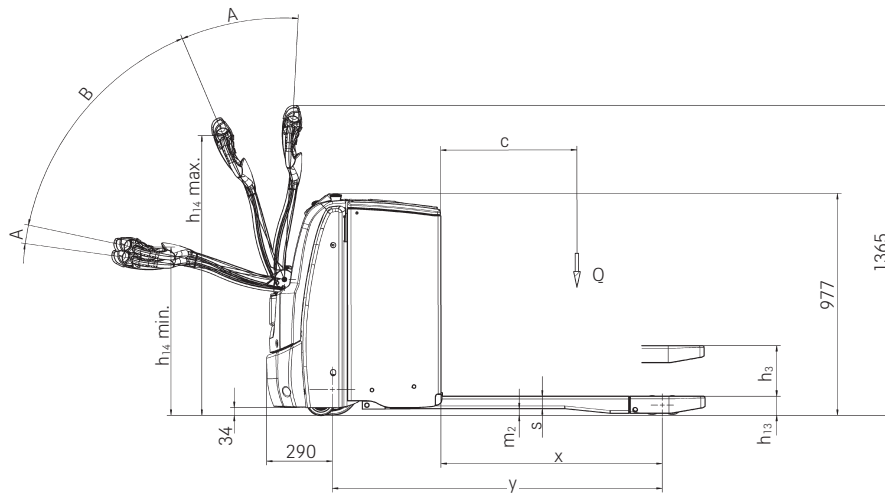


Side view EXH 14-20 Plus

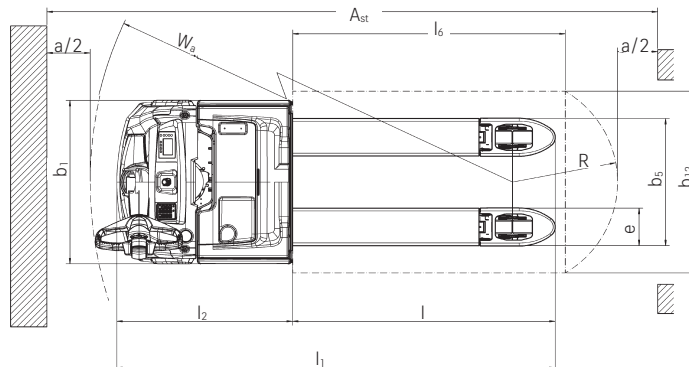


Top view EXH 14-20 Plus

A = braking
B = driving

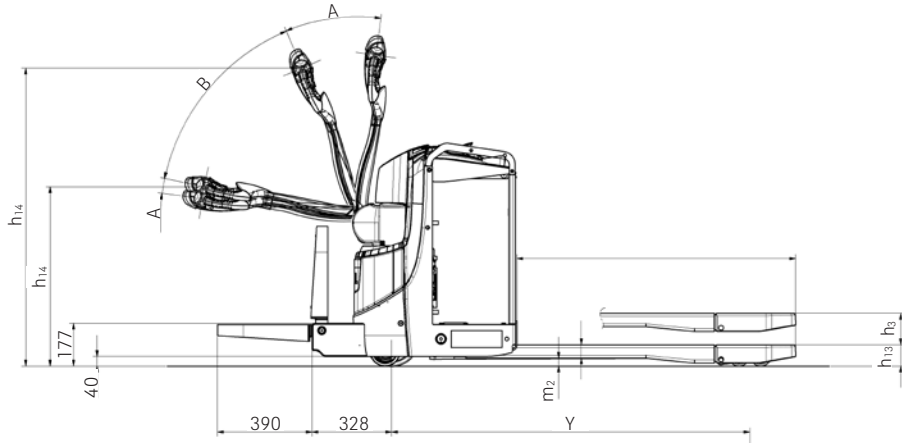


Side view EXH 25/30

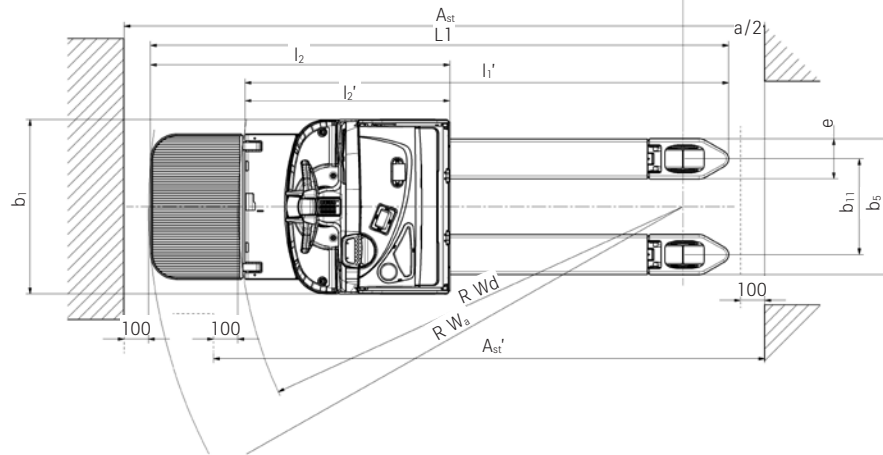


Top view EXH 25/30

EXU S Low Lift Pallet Truck
 Technical Drawings



Side view EXU S with optional operating platform



Top view EXU S with optional operating platform

EXH 14-20 Plus Low Lift Pallet Truck Detailed Photos



Whether you are right or left-handed: thanks to its unique ergonomic design, the tiller on the EXH impresses with its intuitive one-handed operation



Manoeuvrable and compact with an integrated lithium-ion battery, making it ideal for use in narrow aisles or in HGVs



A quick glance at the LED or touch display is all it takes to have all the relevant vehicle information clearly at hand



Work safely even in confined spaces thanks to the creep speed switch - installed as standard



If you select the optional built-in charger, you can charge up whenever and wherever you need to



The optional quick-charge access for lithium-ion batteries makes charging even quicker and easier



Unharmful feet guaranteed: the active foot stop halts and reverses the truck automatically upon contact with feet



With triple guide rollers, the EXH navigates obstacles with ease and glides smoothly across the floor

EXU-H and EXH 25/30 Low Lift Pallet Trucks
Detailed Photos



Fatigue-free operation thanks to additional lift from EXU-H



The autolift function provides perfect ergonomics by automatically lifting or lowering of the forks



Top performance thanks to a load capacity of up to 3,000 kg



Maximum manoeuvrability due to the electrical steering unit



Always available with Li-Ion technology and battery capacities of up to 500 Ah



Maximum safety when loading and unloading lorries thanks to STILL Safety Light and working lights

EXH and EXU-H Low Lift Pallet Trucks

Compact all-rounder for challenging applications

Intuitive one-handed operation whether left or right-handed, no matter how big or small your hands are – all thanks to the unique tiller ergonomics

View all the relevant information at a glance thanks to the LED or touch display integrated in the tiller head

Manoeuvre with ease: compact dimensions enable precise, safe load handling even in the smallest of spaces

Ready for use at all times: the quick-charge access on all lithium-ion trucks and the optional built-in charger make decentralised charging quicker and easier than ever before



EXH 14-20 Plus

Horizontal transportation anytime, anywhere – a piece of cake with the EXH 14-20 Plus low lift pallet truck, the nimble warehouse helper that makes everything a lot easier. Starting with the unique tiller ergonomics: a lot of thought has gone into the positioning of the control elements. They enable intuitive one-handed operation for all operators, no matter the size of the hand and whether it is the right or left. Meanwhile the LED or touch display on the tiller head allows the operator to keep an eye on all relevant truck information. Want to be able to manoeuvre the truck easily and safely at all times? No problem with OptiSpeed. The smart feature automatically adjusts the vehicle

speed to the tiller angle. This means that you are just as safe handling loads at full speed during horizontal transportation as you are when carefully driving and braking in narrow aisles or on packed sales floors. The truck also really comes into its own here thanks to its compact dimensions. Whether working in narrow aisles or manoeuvring in HGVs, it takes it all in its stride. With features like these, the EXH 14-20 Plus is perfect not just for horizontal transport applications in supermarkets, production and logistics, but also for use in HGVs. In short: wherever the low lift pallet truck is used, it makes life easier.

Versatile: efficient goods transportation and ergonomic order picking with a single truck

Optional auto-lift function automatically raises and lowers the load to the optimum working height

Safety and precision at all times with OptiSpeed – the smart feature automatically adjusts the truck speed to the tiller angle



EXU-H

The EXU-H 18/20 shows just how versatile and easy using a low lift pallet truck can be. Not only does it guarantee the efficient and safe horizontal transportation of loads of up to two tonnes, but it can also be used as a smart order picking aid or workbench for goods weighing up to 800 kg. The EXU-H 18/20 really does cover an extremely wide range of applications. This is possible thanks to the additionally installed order picking lift (optionally available with auto-lift function). With the lift, this skilled compact warehouse aid raises goods to an ergonomic working height of up to 760 mm. And the best bit about the auto-lift function? A sensor detects the upper edge of the loaded goods. If goods are unloaded or added, the truck automatically raises or

lowers the order picking lift so that it is always at the optimal working height – protecting the operator's back and making work easier. The EXU-H 18/20 is also impressive as a compact low lift pallet truck. Whether transporting goods from the warehouse to the shop floor in a supermarket or bringing raw materials from storage to the workstations in production: the low lift pallet truck is easy and precise to operate in any situation. It is nimble and manoeuvrable, and ensures safe load handling at all times. For instance, the truck automatically adjusts its speed to the tilt angle of the tiller thanks to OptiSpeed. If it is even just slightly tilted, the low lift pallet truck starts moving gently. If the operator moves away and speeds up, the truck also picks up the pace.

EXH Low Lift Pallet Trucks

Compact all-rounder for challenging applications

Highest turnover efficiency due to a lifting capacity of up to 3,000 kg

Best manoeuvrability and ergonomics due to electric steering and OptiSpeed tiller

Always available due to Li-Ion technology and battery capacities of up to 500 Ah



EXH 25/30

Never has the transportation of loads of up to 3,000 kg been this easy and ergonomic at the same time as with the EXH. Loads can be easily and precisely transported to their destination thanks to the electrical steering unit. The EXH is ideally suited for the horizontal transport of heavy loads or the loading and unloading of lorries. With the specially suspended support wheels, the EXH can move over ramps and uneven grounds without any problems. The BOOST driving programme ensures maximum turnover efficiency. Want to save energy with the press of a button? No problem. The EXH is equipped with an ECO driving

programme as well as the Blue-Q mode for maximum performance paired with simultaneous energy efficiency. With the colour display you have all the important information in sight at all times: battery status, operating hours and the time. The EXH is ready for use around the clock as the Li-Ion technology allows for quick charging as well as interim charging. Furthermore, the maximum battery capacity of up to 500 Ah and the lateral battery change guarantee maximum availability of the EXH, even in multi-shift operation.



EXH 25/30



Simply easy

- Safe driving up and down ramps with optimal traction thanks to spring-loaded support rollers
- Precisely manoeuvrable, even in the smallest of spaces: compact dimensions thanks to integrated lithium-ion battery in the EXH 14-20 Plus
- Best views for precise operation: clear view of the tips of the forks and centrally mounted tiller
- One-handed operation means both left and right-handed users can intuitively operate all of the driving, lifting and lowering functions
- EXH 14-20 Plus trucks are easy to position for lateral pallet lifting thanks to smart fork marking



Simply powerful

- Fast goods handling thanks to lifting capacity of up to 3,000 kg with the EXH 30
- Always ready to get the job done: powerful, reliable and low-maintenance electrical drive and steering motor
- Virtually no interruptions: battery capacity of up to 500 Ah (on EXH 25/30) with lateral battery change or interim charging of lithium-ion battery
- The right driving programme for every situation: maximum turnaround or maximum efficiency – ECO, BOOST and Blue-Q



Simply safe

- Makes work easier: easy-to-use, ergonomic tiller
- Effective protection for feet: low-lying truck frame
- Safe yet speedy at all times: OptiSpeed automatically adapts the speed to the tilt angle of the tiller
- Stays on track around every bend: Curve Speed Control automatically adapts speed to the steering angle when cornering
- Safe manoeuvrability in confined spaces thanks to the vertical tiller position
- Maximum safety in tight spaces with the optional active foot protection guard on the EXH 14-20 Plus



Simply flexible

- Flexible and decentralised charging with optional built-in charger
- Battery changes made easy: lateral battery change option for excellent availability with maximum safety
- Optimal availability, tailored to your specific requirements: selection of different battery technologies and capacities
- If additional equipment is required or desired to make work easier (e.g. scanners), it can be simply and securely attached to the optional accessories bracket for easy accessibility



Simply connected

- All relevant information is available at a glance thanks to the intelligently positioned display
- All important vehicle information is in the operator's field of view thanks to the integrated display in the tiller head on the EXH 14-20 Plus pallet truck
- Individual access authorisations thanks to various access control options
- All fleet data can be viewed and analysed in real time with the optional FleetManager 4.x

Simply Efficient



EXH and EXU-H Low Lift Pallet Trucks Equipment Variants



	EXH 14	EXH 16	EXH 18	EXH 20	EXH 20 Plus	EXH 25	EXH 30	EXU-H 18	EXU-H 20	
General	3 driving programs: ECO, BOOST and Blue-Q	●	●	●	●	●	●	—	—	
	Ergonomic tiller, which enables one-handed operation for left and right-handed users	●	●	●	●	●	●	●	●	
	Electrical steering unit	—	—	—	—	—	●	●	—	
	Low-maintenance rotary current drive	●	●	●	●	●	●	●	●	
	Auto-lift function: automatic raising and lowering of the load to an ergonomic height	—	—	—	—	—	—	—	○	
	Various fork lengths	○	○	○	○	○	○	○	○	
	Cold store variant	○	○	○	○	○	○	○	○	
	Optional touch display integrated into the tiller head	○	○	○	○	○	—	—	—	
	Drive wheel tyres, polyurethane	●	●	●	●	●	●	●	●	
	Drive wheel tyres, polyurethane, profiled	○	○	○	○	○	○	○	○	
Tyres	Drive wheel tyres, polyurethane, soft	○	○	○	○	○	—	—	○	
	Drive wheel tyres, polyurethane, soft, natural-coloured	—	—	—	—	—	○	○	—	
	Drive wheel tyres, polyurethane, soft, profiled	○	○	○	○	○	—	—	○	
	Drive wheel tyres, solid rubber	—	—	—	—	—	○	○	—	
	Drive wheel tyres, solid rubber, profiled	—	—	—	—	—	○	○	—	
	Load roller tyres, polyurethane, single	●	●	●	●	●	●	●	●	
	Load roller tyres, polyurethane, tandem	○	○	○	○	○	○	○	○	
	Load roller tyres, polyurethane, single greased axes and lifting links	○	○	○	○	○	○	○	○	
	Load roller tyres, polyurethane, tandem greased axes and lifting links	○	○	○	○	○	○	○	○	
	OptiSpeed: controls the speed in accordance with the tiller angle	●	●	●	●	●	●	●	●	
Safety	Creep speed function and lifting/lowering with vertical tiller	●	●	●	●	●	○	○	○	
	FleetManager: access authorisation, shock detection, reports	○	○	○	○	○	○	○	○	
	PIN code access	○	○	○	○	○	○	○	○	
	Accessories bracket on the load end	○	○	○	○	○	○	○	○	
	Load backrest	○	○	○	○	○	○	○	○	
	Working lights, load end	○	○	○	○	○	○	○	—	
	STILL Safety Light, load end	○	○	○	○	○	○	○	—	
	Active foot protection guard: truck stops and reverses automatically upon contact	○	○	○	○	○	—	—	—	
	Battery system	Integrated lithium-ion battery	●	○	—	—	—	—	—	—
		Battery compartment for 134-150 Ah battery, for changing batteries with a crane	●	●	—	—	—	—	●	—
Battery compartment for 200-250 Ah battery, for changing batteries with a crane or with a lateral battery changing system		—	○	○	○	○	○	○	○	
Battery compartment for 300-375 Ah battery, for changing batteries with a crane		—	—	—	○	○	○	○	—	
Battery compartment for 400-500 Ah battery, for changing batteries with a crane or with a lateral battery changing system		—	—	—	—	—	○	○	—	
35 Ah built-in charger for lead-acid/gel/li-ion batteries		○	○	○	○	○	○	○	○	
1.5/1.8 kWh STILL Li-ion battery		●	○	—	—	—	—	—	—	
3/3.6 kWh STILL Li-ion battery		○	○	—	—	—	—	—	—	
6/7.1 kWh STILL Li-ion battery	○	○	○	○	○	○	○	○		
9/10.7 or 12/14.3 kWh STILL Li-ion battery	—	—	—	—	—	○	○	—		

● Standard ○ Option — Not available



STILL GmbH
Berzeliusstr. 10
22113 Hamburg
Germany
Tel.: +49 40 73 39 20 00
Fax: +49 40 73 39 20 01
info@still.de

For further information please visit
www.still.eu

STILL is certified in the following areas: Quality management, occupational safety, environmental protection and energy management.



first in intralogistics