

RX 60 Technical Data

Electric Forklift Truck

RX 60-60

RX 60-70

RX 60-80

RX 60-80/900



RX 60-60/80 Electric Forklift Truck

Making light work of things

This specification sheet, which conforms to VDI guideline 2198, provides the technical values for the standard equipment only.
Different tyres, other masts, the use of accessories, etc., may result in other values.



| | | | | STILL | STILL | STILL | STILL | | |
|------------------|---|--|--------------------------------------|----------------------------------|----------------------|-------------------------------------|-------------------------------------|-------------------------------------|-------------------------------------|
| Features | 1.1 | Manufacturer | | | | | | | |
| | 1.2 | Manufacturer's type designation | | RX 60-60 | RX 60-70 | RX 60-80 | RX 60-80/900 | | |
| | 1.2.1 | Manufacturer model number | | 6341 | 6342 | 6343 | 6344 | | |
| | 1.3 | Drive | | Electric | Electric | Electric | Electric | | |
| | 1.4 | Operator type | | Seated | Seated | Seated | Seated | | |
| | 1.5 | Rated capacity/rated load | Q | kg | 6000 | 7000 | 8000 | 8000 | |
| | 1.6 | Load centre distance | c | mm | 600 | 600 | 600 | 900 | |
| | 1.8 | Load distance, centre of drive axle to fork | x | mm | 710 | 720 | 720 | 750 | |
| | 1.9 | Wheel base | y | mm | 2285 | 2285 | 2285 | 2285 | |
| Weights | 2.1 | Empty weight (incl. battery) | | kg | 12032 | 12414 | 13282 | 15430 | |
| | 2.2 | Axle load, laden | front/rear | kg | 15860/2172 | 17702/1712 | 19311/1971 | 21306/2124 | |
| | 2.3 | Axle load, unladen | front/rear | kg | 6413/5619 | 6591/5823 | 6627/6655 | 7097/8333 | |
| Tyres/chassis | 3.1 | Tyres | | Superelastic | Superelastic | Superelastic | Superelastic | | |
| | 3.2 | Tyre size | front | mm | 355/50-20 | 8.25-15 | 315/70-15 | 315/70-15 | |
| | 3.3 | Tyre size | rear | mm | 250-15 | 250-15 | 250-15 | 28 x 12.5-15 | |
| | 3.5 | Wheels, number (x = driven) | front/rear | | 2x/2 | 4x/2 | 4x/2 | 4x/2 | |
| | 3.6 | Tread | front/rear | b ₁₀ /b ₁₁ | mm | 1364/1358 | 1510/1358 | 1561/1358 | 1561/1432 |
| Basic dimensions | 4.1 | Angle of mast/fork carriage | forward/backward | α/β | ° | 5/8 | 5/8 | 5/8 | 5/8 |
| | 4.2 | Height of mast when retracted | | h ₁ | mm | 2710 | 2710 | 2710 | 2710 |
| | 4.3 | Free lift | | h ₂ | mm | 150 | 150 | 150 | 150 |
| | 4.4 | Lift ¹ | | h ₃ | mm | 3550 | 3150 | 3150 | 2750 |
| | 4.5 | Height of mast when extended | | h ₄ | mm | 4440 | 4240 | 4140 | 4140 |
| | 4.7 | Height above protected roof (cab) | | h ₆ | mm | 2697 | 2697 | 2697 | 2697 |
| | 4.8 | Seat height in terms of SIP | | h ₇ | mm | 1719 | 1719 | 1719 | 1719 |
| | 4.12 | Clutch height | | h ₁₀ | mm | 520/670 | 520/670 | 520/670 | 520/670 |
| | 4.19 | Total length | | l ₁ | mm | 4640 | 4660 | 4660 | 5335 |
| | 4.20 | Length including fork backs | | l ₂ | mm | 3450 | 3460 | 3460 | 3535 |
| | 4.21 | Overall width | | b ₁ | mm | 1679 | 1996 | 2141 | 2141 |
| | 4.22 | Fork dimensions | | s/e/l | mm | 70/150/1200 | 70/150/1200 | 70/150/1200 | 70/200/1800 |
| | 4.23 | Fork carriage ISO 2328, class/type A, B | | | | ISO IV A | ISO IV A | ISO IV A | ISO IV A |
| | 4.24 | Fork carriage width | | b ₃ | mm | 1600 | 1800 | 1800 | 2180 |
| | 4.31 | Ground clearance under mast | | m ₁ | mm | 220 | 220 | 220 | 220 |
| | 4.32 | Ground clearance, centre wheel base | | m ₂ | mm | 210 | 210 | 210 | 210 |
| | 4.34.1 | Working aisle width with pallet 1000 x 1200 crossways | | A _{st} | mm | 4917 | 4927 | 4927 | 4999 ³ |
| 4.34.2 | Working aisle width with pallet 800 x 1200 lengthways | | A _{st} | mm | 5117 | 5127 | 5127 | 5199 ³ | |
| 4.35 | Turning radius | | W _a | mm | 3007 | 3007 | 3007 | 3049 | |
| 4.36 | Smallest pivoting distance | | b ₁₃ | mm | 877 | 877 | 877 | 877 | |
| Performance data | 5.1 | Driving speed ⁵ | laden/unladen | | km/h | 14/17 // 18/20 ⁴ | 14/17 // 18/20 ⁴ | 14/17 // 18/20 ⁴ | 14/17 // 18/20 ⁴ |
| | 5.2 | Lifting speed ⁵ | laden/unladen | | m/s | 0.31/0.37 // 0.41/0.48 ⁴ | 0.30/0.37 // 0.38/0.48 ⁴ | 0.28/0.37 // 0.36/0.48 ⁴ | 0.28/0.37 // 0.36/0.48 ⁴ |
| | 5.3 | Lowering speed ⁵ | laden/unladen | | m/s | 0.56/0.52 | 0.53/0.42 | 0.53/0.42 | 0.53/0.42 |
| | 5.5 | Traction | laden/unladen | | N | 28788/29023 | 28674/28936 | 28468/28767 | 27997/28295 |
| | 5.6 | Max. traction | laden/unladen | | N | 44000 | 44000 | 44000 | 44000 |
| | 5.7 | Gradeability | laden/unladen | | % | 16.3/25.0 | 16.1/24.1 | 16.0/23.0 | 15.5/22.5 |
| | 5.8 | Max. gradeability | laden/unladen | | % | 19.0/29.0 | 18.0/27.0 | 16.0/25.0 | 16.0/23.0 |
| | 5.9 | Acceleration time (15 m) ⁵ | laden/unladen | | s | 7.3/6.2 // 6.3/5.8 | 7.5/6.5 // 6.4/5.9 | 7.7/6.6 // 6.7/5.9 | 7.9/6.8 // 6.9/6.1 |
| | 5.10 | Service brake | | | | Mechanic/hydraulic | Mechanic/hydraulic | Mechanic/hydraulic | Mechanic/hydraulic |
| | Electric engine | 6.1 | Drive motor, output with S3 = 60 min | | kW | 2 x 10.5 | 2 x 10.5 | 2 x 10.5 | 2 x 10.5 |
| 6.2 | | Lifting motor, output at 15% ED | | kW | 2 x 21.0 | 2 x 21.0 | 2 x 21.0 | 2 x 21.0 | |
| 6.3 | | Battery in accordance with DIN 43531/35/36 A, B, C, no | | | DIN 43536 A | DIN 43536 A | DIN 43536 A | DIN 43536 A | |
| 6.4 | | Battery voltage | U | V | 80 | 80 | 80 | 80 | |
| 6.4.1 | | Battery capacity K _s | | Ah | 1120 (-1240) // 1085 | 1120 (-1240) // 1085 | 1120 (-1240) // 1085 | 1120 (-1240) // 1085 | |
| 6.5 | | Battery weight | | kg | 2824 | 2824 | 2824 | 2824 | |
| 6.6 | | Energy consumption, 45 VDI combustion cycles/hour | | kWh/h | 12.6 | 14.5 | 16.0 | 17.7 | |
| 6.7 | | Handling capacity ⁵ | | t/h | 354 // 358 | 412 // 434 | 462 // 492 | 456 // 476 | |
| 6.8 | Energy consumption at handling capacity | | kWh/h | 15.4 // 20.4 | 16.1 // 20.6 | 16.5 // 20.9 | 17.2 // 21.9 | | |
| Miscellaneous | 10.1 | Working pressure for accessory equipment | | bar | 250 | 250 | 250 | 250 | |
| | 10.2 | Oil volume for accessory equipment | | l/min | 60 | 60 | 60 | 60 | |
| | 10.7 | Sound pressure level L _{pAZ} (operator's position) ² | | dB(A) | <70 | <70 | <70 | <70 | |
| | 10.8 | Human vibrations: acceleration in accordance with EN 13059 | | m/s ² | <0.7 | <0.7 | <0.7 | <0.7 | |
| | Trailer coupling, item/DIN type | | | Bolt | Bolt | Bolt | Bolt | | |

¹ The nominal lift stated includes the tyre deflection and tyre diameter tolerances

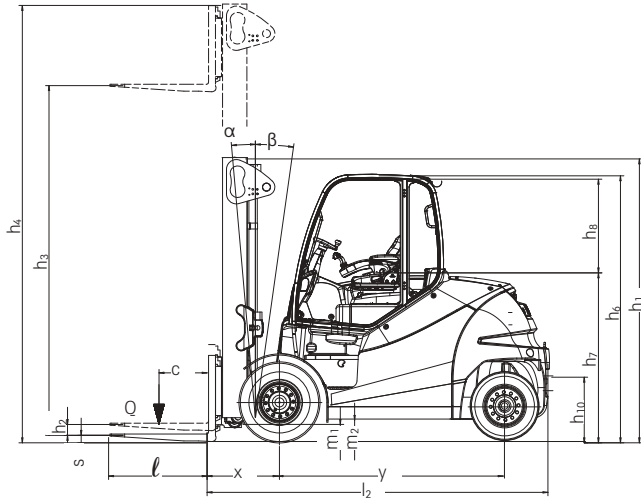
² Excluding cab. Different values with cab

³ Fork arm overhang not considered

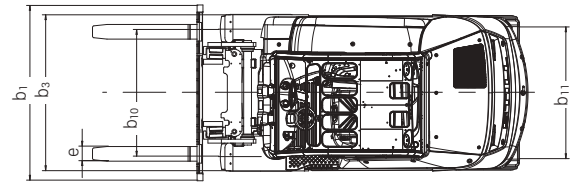
⁴ Option with outstandingly powerful battery

⁵ Values apply to standard version and permanent sprint mode (no performance restrictions for temperature balancing)

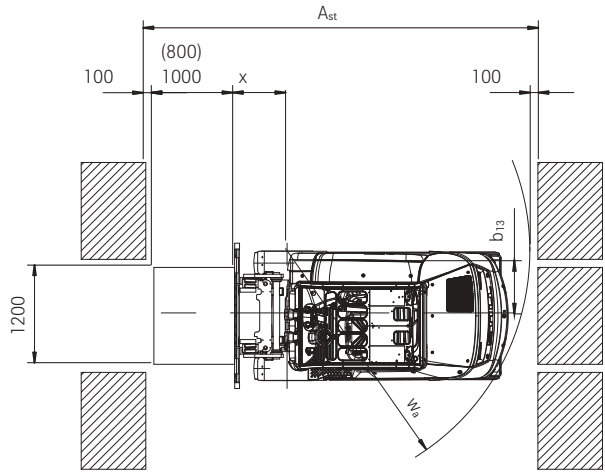
RX 60-60/80 Electric Forklift Truck
 Technical Drawings



Side view



Top view



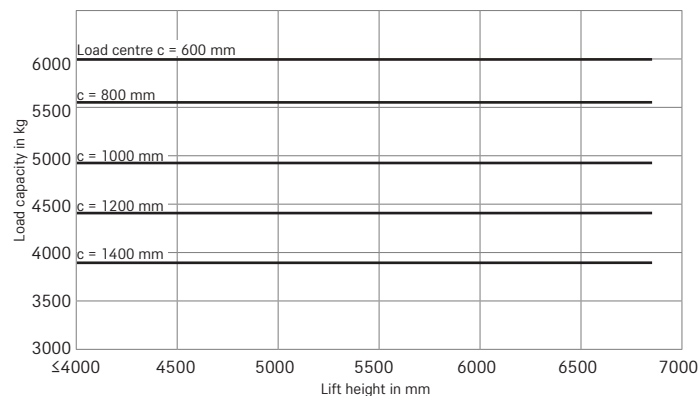
Mast Tables

| | | | | Telescopic mast | Triplex mast |
|--------------|------------------------|------------|-----------------|---|--------------|
| RX 60-60 | Overall height | h_1 | mm | 2710-4360 | 2710-3760 |
| | Free lift | h_2 | mm | 110 | 1755-3005 |
| | Nominal lift | h_3 | mm | 3550-6850 | 4770-8670 |
| | Maximum height | h_4 | mm | 4440-7740 | 5660-9560 |
| | Maximum width | b_1 | mm | 1679 | |
| | Adjustable fork spread | | mm | 267/470/673/978/1181/1486 (fork carriage width 1600 mm)/1570 (fork carriage width 1800 mm)/1791 (fork carriage width 2180/2400 mm)/1866 (fork carriage width 2180 mm)/1950/2096 (fork carriage width 2400 mm) | |
| | Superelastic tyres | front/rear | | SE 355/50-20 / SE 250-15 | |
| | Track | front/rear | b_{10}/b_{11} | mm | 1364/1358 |
| RX 60-70 | Overall height | h_1 | mm | 2710-4360 | 2710-3960 |
| | Free lift | h_2 | mm | 110 | 1555-2805 |
| | Nominal lift | h_3 | mm | 3150-6450 | 4705-8455 |
| | Maximum height | h_4 | mm | 4240-7540 | 5795-9545 |
| | Maximum width | b_1 | mm | 2003 | |
| | Adjustable fork spread | | mm | 267/470/673/978/1181/1486 (fork carriage width 1600 mm)/1570 (fork carriage width 1800 mm)/1791 (fork carriage width 2180/2400 mm)/1866 (fork carriage width 2180 mm)/1950/2096 (fork carriage width 2400 mm) | |
| | Superelastic tyres | front/rear | | SE twin 8.25-15 / SE 250-15 | |
| | Track | front/rear | b_{10}/b_{11} | mm | 1510/1358 |
| RX 60-80 | Overall height | h_1 | mm | 2710-4360 | 2710-3960 |
| | Free lift | h_2 | mm | 110 | 1555-2805 |
| | Nominal lift | h_3 | mm | 3150-6450 | 4705-8455 |
| | Maximum height | h_4 | mm | 4240-7540 | 5795-9545 |
| | Maximum width | b_1 | mm | 2140 | |
| | Adjustable fork spread | | mm | 267/470/673/978/1181/1486 (fork carriage width 1600 mm)/1570 (fork carriage width 1800 mm)/1791 (fork carriage width 2180/2400 mm)/1866 (fork carriage width 2180 mm)/1950/2096 (fork carriage width 2400 mm) | |
| | Superelastic tyres | front/rear | | SE twin 315/70-15 / SE 250-15 | |
| | Track | front/rear | b_{10}/b_{11} | mm | 1561/1358 |
| RX 60-80/900 | Overall height | h_1 | mm | 2710-4360 | 2710-3960 |
| | Free lift | h_2 | mm | 110 | 1320-2570 |
| | Nominal lift | h_3 | mm | 2750-6050 | 3955-7705 |
| | Maximum height | h_4 | mm | 4140-7440 | 5595-9345 |
| | Maximum width | b_1 | mm | 2140 | |
| | Adjustable fork spread | | mm | 267/470/673/978/1181/1486 (fork carriage width 1600 mm)/1570 (fork carriage width 1800 mm)/1791 (fork carriage width 2180/2400 mm)/1866 (fork carriage width 2180 mm)/1950/2096 (fork carriage width 2400 mm) | |
| | Superelastic tyres | front/rear | | SE twin 315/70-15 / SE 28 x 12.5-15 | |
| | Track | front/rear | b_{10}/b_{11} | mm | 1561/1432 |

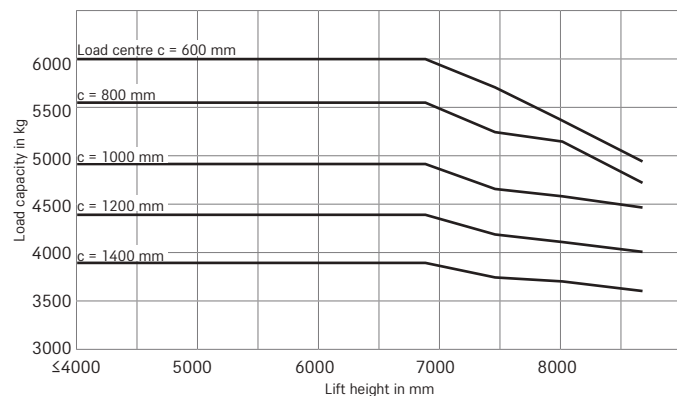
RX 60-60/80 Electric Forklift Truck

Basic Load Capacities

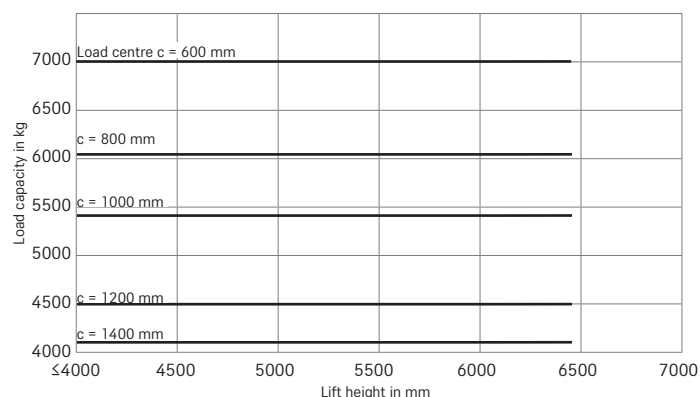
RX 60-60 Telescopic mast



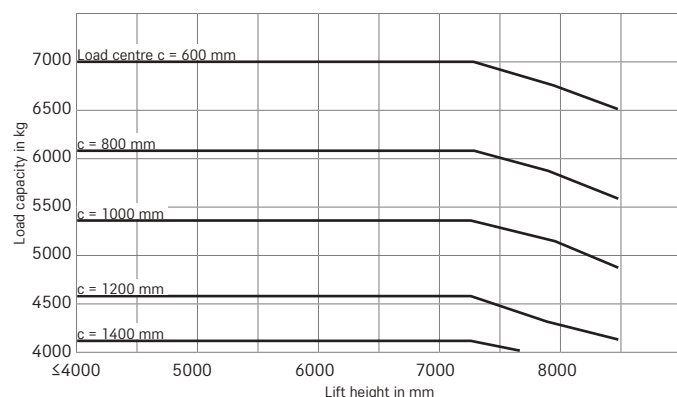
RX 60-60 Triplex mast



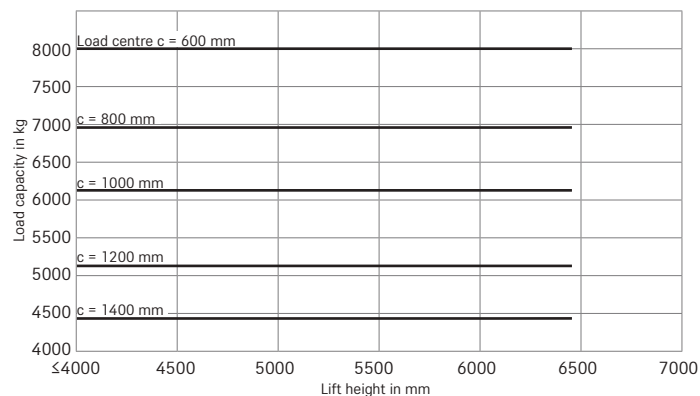
RX 60-70 Telescopic mast



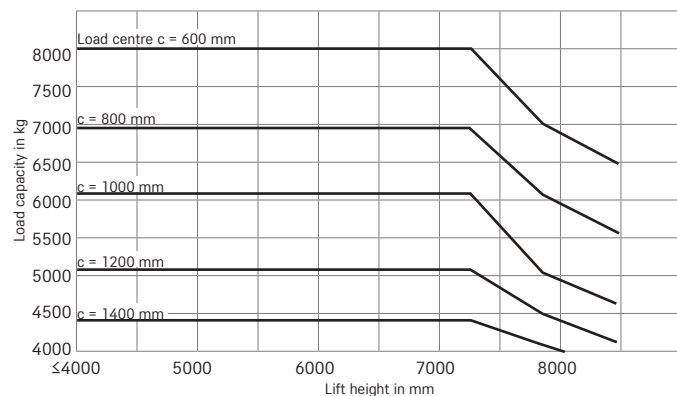
RX 60-70 Triplex mast



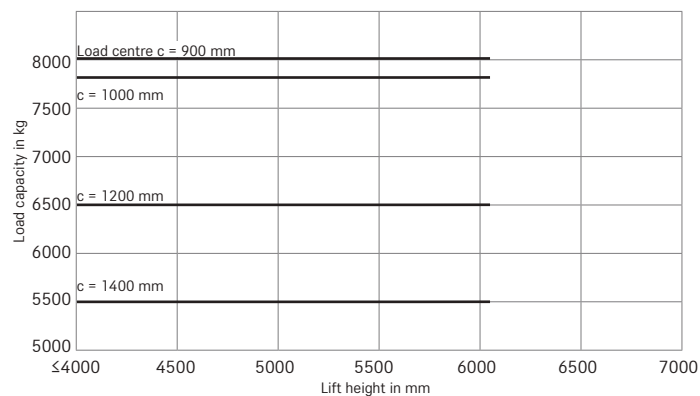
RX 60-80 Telescopic mast



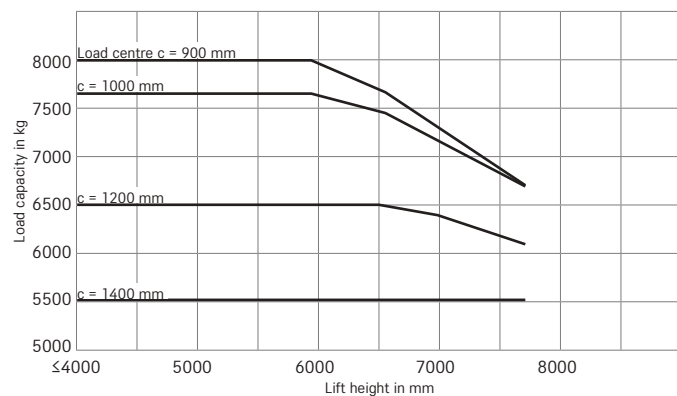
RX 60-80 Triplex mast



RX 60-80/90 Telescopic mast



RX 60-80/90 Triplex mast



RX 60-60/80 Electric Forklift Truck
Detailed Photos



Easy handling of heavy loads in tight spaces



Flexible indoor and outdoor use



Non-slip steps visible from the top for safe access and exit



Manoeuvrable and stable high pendulum axle



Fast battery change with ECU 30 high lift truck



High availability thanks to fast battery change



Easily accessible maintenance positions

RX 60-60/80 Electric Forklift Truck

Making light work of things

Compact design and excellent mobility

The powerful electrical drive unit has very low environmental impact and a high handling rate

Excellent visibility due to laterally offset driver's cab and high seat position

Optional sprint mode and for a top driving speed of 20 km/h



The electric forklift trucks of the RX 60-60/80 series are emission-free powerhouses that boost a particularly high performance and are extremely compact and manoeuvrable. The flagship model, the RX 60-80/900, can lift up to eight tonnes in working aisle widths of only 4,999 mm at a load centre of 900 mm. With zero emissions, the powerful electric forklifts prove to be a highly efficient transport solution both indoors and outdoors – even in damp and dusty environments.

High handling performance is ensured not only by the sensitive control but also by the maximum travel speed of up to 17 km/h as standard - and even up to 20 km/h in the optional sprint mode.

Whether for freight carriers or manufacturing sectors, handling heavy loads or fast loading and unloading of lorries, its high performance, precise hydraulics and well-conceived forklift ergonomics make the strongest RX-60 model an unbeatable warehouse assistant.

The 'Simply Efficient' factors: Performance attributes as a measure of economic efficiency



Simply easy

- Intuitive handling: intuitive, easy-to-understand and standardised RX-family operating system
- Ergonomic and comfortable operator's cab protects the back and joints and encourages a healthy posture
- Lateral battery change is easily done and only takes a few moments



Simply powerful

- Intralogistics powerhouse: truck delivers first-in-class handling performance
- Sprint mode can be activated at the push of a button, offering a performance boost for performance peaks
- Efficient power usage ensures an outstanding range per battery charge
- Versatile assistance functions offer intelligent support while working
- Thanks to the optional STILL lithium-ion technology, short decentralised interim charging is sufficient for round-the-clock usage



Simply safe

- Precise, safe handling in any situation due to high-precision hydraulics and agile driving dynamics
- Safe entry: large handle, anti-slip rubber mat and wide step
- Optimal all-round view thanks to narrow protective roof profiles and large windows
- Versatile equipment options for even more safety – from the direction indicator to safety lights through to automatic speed reduction when cornering



Simply flexible

- Choose from a range of individual control options: multi-lever, mini-lever, Fingertip or Joystick 4Plus
- Driving and acceleration behaviour can be adapted to personal preferences at the push of a button



Simply connected

- Monitor truck and usage data in real time: optional interface for integration into fleet management software, such as STILL neXXt fleet
- Incorrect use made impossible thanks to optional access control

RX 60-60/80 Electric Forklift Truck

Equipment Variants



| | RX 60-60 | RX 60-70 | RX 60-80 | RX 60-80/900 |
|--|----------|----------|----------|--------------|
| | ● | ● | ● | ● |
| Low operating costs due to low energy consumption in all operating cycles and long maintenance intervals | ● | ● | ● | ● |
| Steel protected roof | ● | ● | ● | ● |
| Weather-protected, canvas or full cab | ○ | ○ | ○ | ○ |
| Tinted front windscreen, rear and front windows, windscreen washing/wiping system | ○ | ○ | ○ | ○ |
| Single-pedal control | ● | ● | ● | ● |
| Dual-pedal control | ○ | ○ | ○ | ○ |
| Integrated holders and cup holder | ● | ● | ● | ● |
| Display and function buttons protected from water spray | ● | ● | ● | ● |
| Pad with clipboard (removable) | ○ | ○ | ○ | ○ |
| Grammer MSG 65 leatherette cover | ● | ● | ● | ● |
| Textile cover, airsprung, leatherette cover, lumbar support, height-adjustable back extension, heated seat | ○ | ○ | ○ | ○ |
| Handle on protected roof bar, rear right | ● | ● | ● | ● |
| Horizontal spring plate for driver's seat to minimise human vibrations | ○ | ○ | ○ | ○ |
| Document pocket on the seat back | ○ | ○ | ○ | ○ |
| Roof liner with interior lighting | ○ | ○ | ○ | ○ |
| Radio/MP3 player with USB connection | ○ | ○ | ○ | ○ |
| Protective sunshade and sunblind | ○ | ○ | ○ | ○ |
| 1500 W electrical heating incl. defrosting blaster | ○ | ○ | ○ | ○ |
| Cold storage version, display and hydraulic oil can be used at up to -30 °C | ○ | ○ | ○ | ○ |
| Telescopic clear view mast | ○ | ○ | ○ | ○ |
| Triple clear view mast | ○ | ○ | ○ | ○ |
| Load protection grid | ○ | ○ | ○ | ○ |
| Mast vertical position | ○ | ○ | ○ | ○ |
| Hydraulic accumulator in the lifting cylinder to attenuate pressure peaks in the hydraulic system | ○ | ○ | ○ | ○ |
| Angle of incline five/eight degrees, front/rear incline | ● | ● | ● | ● |
| Bellows protects the tilt cylinder from dust and moisture | ○ | ○ | ○ | ○ |
| Tyres | ● | — | — | — |
| Superelastic single tyres, SIT system | ○ | ● | ● | ● |
| Superelastic twin tyres, SIT system | ○ | ○ | ○ | ○ |
| Noise-optimised hydraulic pump | ● | ● | ● | ● |
| Proportional valve technology for especially sensitive movements | ● | ● | ● | ● |
| Individual parametrisation options for hydraulic functions | ● | ● | ● | ● |
| Mini-lever with armrest, two levers | ● | ● | ● | ● |
| Mini-lever with armrest, three or four levers, fingertip or joystick | ○ | ○ | ○ | ○ |
| Increased lift speed in powerful sprint mode | ○ | ○ | ○ | ○ |
| Five driving programs | ● | ● | ● | ● |
| Faster acceleration and driving speed of up to 20 km/h in the powerful sprint mode | ○ | ○ | ○ | ○ |
| Blue-Q energy-saving program | ● | ● | ● | ● |
| Smooth, continuous acceleration and reversing | ● | ● | ● | ● |
| Maintenance-free drives for driving, steering and lifting | ● | ● | ● | ● |
| Enclosed components for protection against dust and damp | ● | ● | ● | ● |
| Operating hours counter only operational with drive and lifting motor | ● | ● | ● | ● |
| Wear-free disc brakes that run in an oil bath | ● | ● | ● | ● |
| Energy recovery when braking | ● | ● | ● | ● |
| Hydraulic parking brake | ● | ● | ● | ● |
| Forklift has low centre of gravity and steering with high self-aligning bearing for optimum levels of safety | ● | ● | ● | ● |
| Protective grille roof | ○ | ○ | ○ | ○ |
| EasyBelt restraint system for quick and safe fastening and unfastening | ○ | ○ | ○ | ○ |
| Easily accessible maintenance positions | ● | ● | ● | ● |
| IWS restraint system with with strap opening on the left | ○ | ○ | ○ | ○ |
| Headlights and LED lighting performance | ○ | ○ | ○ | ○ |
| Speed limiter adjustable by driver | ○ | ○ | ○ | ○ |
| STILL Safety Light warning device, illuminated blue | ○ | ○ | ○ | ○ |
| ATC (Assistance Truck Control) system for safe exit/parking and seat belt control | ○ | ○ | ○ | ○ |
| Load measuring with ±2% precision | ○ | ○ | ○ | ○ |
| FleetManager: access authorisation, shock detection, reports | ○ | ○ | ○ | ○ |

● Standard ○ Optional — Not available



STILL GmbH
Berzeliusstr. 10
22113 Hamburg
Germany

Tel.: +49 40 73 39 20 00

Fax: +49 40 73 39 20 01

info@still.de

For further information please visit

www.still.eu

STILL is certified in the following areas: Quality management, occupational safety, environmental protection and energy management.



first in intralogistics