

| ENGINE | BELGIUM | | ATLANTA | |
|--|---------|-----|---------|-----|
| | STD | OPT | STD | OPT |
| CUMMINS QSF 3.8 Engine | • | | • | |
| EGR(Exhaust Gas Recirculation) | • | | • | |
| SCR(Selective Catalyst Reduction) | • | | • | |
| POWER DRIVE | | | | |
| Clutch protection system | • | | • | |
| Drive Axle | • | | • | |
| Fully Hydrostatic Power Steering | • | | • | |
| Wet disk brakes | • | | • | |
| LOAD HANDLING | | | | |
| 2 Stage wide view mast | • | | | • |
| 2 Stage full free mast | | • | | • |
| 3 Stage full free mast | | • | | • |
| 3 Spool/Lever Main Control Valve (Option: up to 5 spool/lever) | • | | • | |
| Integrated side shifter | | • | | • |
| Hook-on side shifter | | • | | • |
| Synchronized fork-positioner | | • | | • |
| Independent fork-positioner | | • | | • |
| Auto fork leveling system | • | | • | |
| Load Sensing&Indicator | • | | • | |
| Wide type carriage(for double tires) | | • | | • |
| Carriage backrest | | • | | • |
| LOAD SENSING&INDICATOR | | | | |
| HAC (Hillstart-assistance control) | • | | • | |
| Fork safety system (Preventing sudden drop) | • | | • | |
| Truck inclination warning system | • | | • | |
| OPSS (Operator Presence Sensing System) | | • | | • |
| Password starting system | • | | • | |
| Maximum speed limit system | • | | • | |
| Back-up alarm | • | | • | |
| Rear view camera | | • | | • |
| BODY | | | | |
| Press type O.H.G(overheadguard) | • | | • | |
| Flat bar type O.H.G(overheadguard) | | • | | • |
| O.H.G with raincover | | • | | • |
| Cabin | | • | | • |
| Cabin with heater and air-conditioner | | • | | • |
| 5.6" LCD Monitor | • | | • | |
| Grammer seat | • | | • | |
| Grammer full suspension seat | | • | | • |
| Belly Pan-under cover | | • | | • |
| Belly Pan-rear tire mud cover | | • | | • |
| Pneumatic single tire | • | | • | |
| Solid single tire | | • | | • |
| Non-marking single tire | | • | | • |
| Brake booster | • | | • | |
| Pre-cleaner | • | | • | |
| Panoramic mirror | | • | | • |
| Side mirror | • | | | • |
| Tilt steering column | • | | • | |
| Parking brake switch | • | | • | |
| Rear handle with horn | | • | | • |
| Horn&directional switch | | • | | • |
| Explosion Proof | | • | | • |
| Oil for special environment(Hot/Cold weather) | | • | | • |
| Master switch | • | | • | |

| LIGHTS AND LAMPS | | | | |
|----------------------------|--|---|---|---|
| Halogen head lights | | • | | • |
| LED rear combination lamps | | • | | • |
| Turn signal lights | | • | | • |
| Rear reflectors | | • | | • |
| Beacon Lamp(Bulb or LED) | | | • | • |

35/40/45D-9 50DA-9

Diesel Counterbalance Trucks

MOVING YOU FURTHER

HYUNDAI MATERIAL HANDLING



PLEASE CONTACT

www.hyundai-mh.com

2020. 03 Rev. 3

*Some of the photos may include optional equipment.



Your satisfaction is our priority!

Hyundai introduces a new line of 9-series diesel forklift trucks.

The newly designed 4 wheel counterbalance trucks provide every operator comfortable driving, increased productivity and easy maintenance.

New Diesel Forklift with Proven Quality and Advanced Technology

- Maximum performance
- Spacious operator's cab
- 5.6 inch LCD color monitor
- Truck inclination warning system
- Operator Presence Sensing System
- Easy serviceability
- Max speed limit function
- Password starting system
- Auto fork leveling system (OPT)
- Load weight indicator (OPT)
- LED front work lamp (OPT)



*Some of the photos may include optional equipment.

High Efficiency & Optimal Performance



Powerful engine and high technology systems provide you with enhanced performance and highest productivity.

35/40/45D-9
50DA-9



*Some of the photos may include optional equipment.

CUMMINS QSF3.8 Engine

75kw/2,200rpm
42.3kgf · m/1,600rpm



Powerful Engine

The 4 cylinders turbo-charged engine is built for power, reliability and economy. This engine meets EPA Tier 4 Final and EU stage IV emission regulation.

High Pressure Common Rail Fuel System(HPCR)

Upgraded HPCR System provides excellent start

Ability & Emission Control

- Combustion efficiency enhancement
- Low noise, Low vibration

Selective Catalytic Reduction(SCR)

- Reduces NOx emissions to near-zero level
- NO DPF



Highly Durable Transmission

Powershift transmission of forward 2 stages and reverse 2 stages provides fast travel speed and quiet travel under any heavy load condition, and enhances work efficiency.

The clutch protection system prevents excessive use of inching as well as minimizes change-impact.



Highly Durable Drive Axle

The strengthened drive axle separable from transmission ensures low vibration and easy maintenance. The wet disc type brake is applied for easy operation, smooth response and maintenance free.



Boosting Type Brake Valve

The boosting type brake valve is applied for strong braking performance.



Integrated Wheel Rim

The integrated wheel rim provides significantly increased service life.



Fully Hydrostatic Power Steering

The hydraulic steering system always guarantees smooth and flexible steering, preventing over-run and kick-back.



Travel Speed (MAX)

| Model | km / h |
|--------|--------|
| 35D-9 | 26.6 |
| 40D-9 | 25.7 |
| 45D-9 | 25.6 |
| 50DA-9 | 25.6 |

Gradeability (MAX)

| Model | % |
|--------|-------------|
| 35D-9 | 40.9 (22.2) |
| 40D-9 | 36.4 (20.0) |
| 45D-9 | 33.2 (18.4) |
| 50DA-9 | 30.6 (17.0) |

Faster Travel Speed and Gradeability

The powerful high-output engine provides greater acceleration, better gradeability and faster travel speed on any tough terrain or slope.

Best Convenience & Optimized Ergonomics



The ergonomically designed cabin and the new style LCD color monitor provides full support and comfort to the operator.

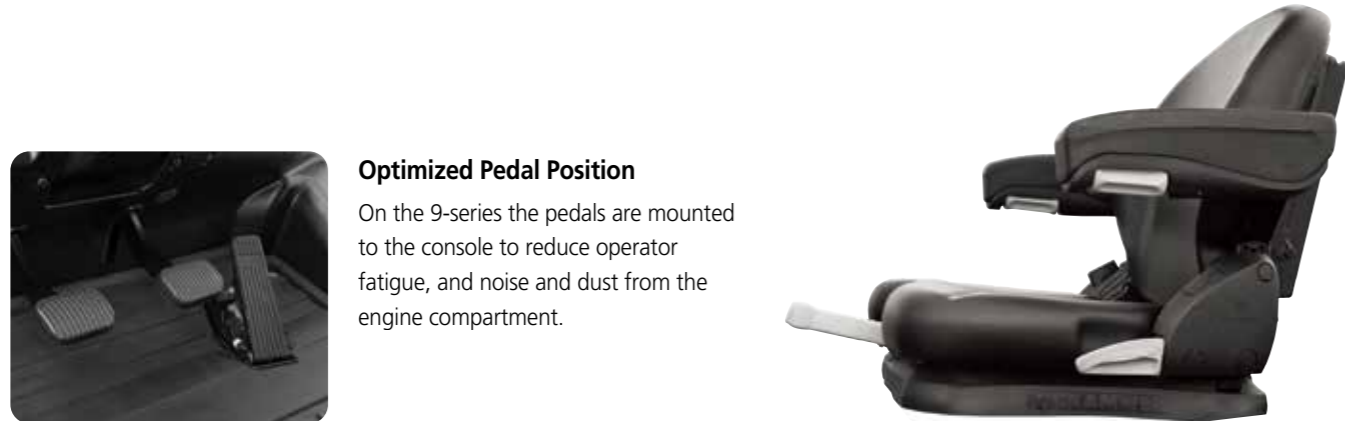
35/40/45D-9
50DA-9



*Some of the photos may include optional equipment.

Spacious Operator Cabin

The newly designed cabin provides wide visibility and spacious environment, ensuring all day comfort for the operator.



Optimized Pedal Position

On the 9-series the pedals are mounted to the console to reduce operator fatigue, and noise and dust from the engine compartment.

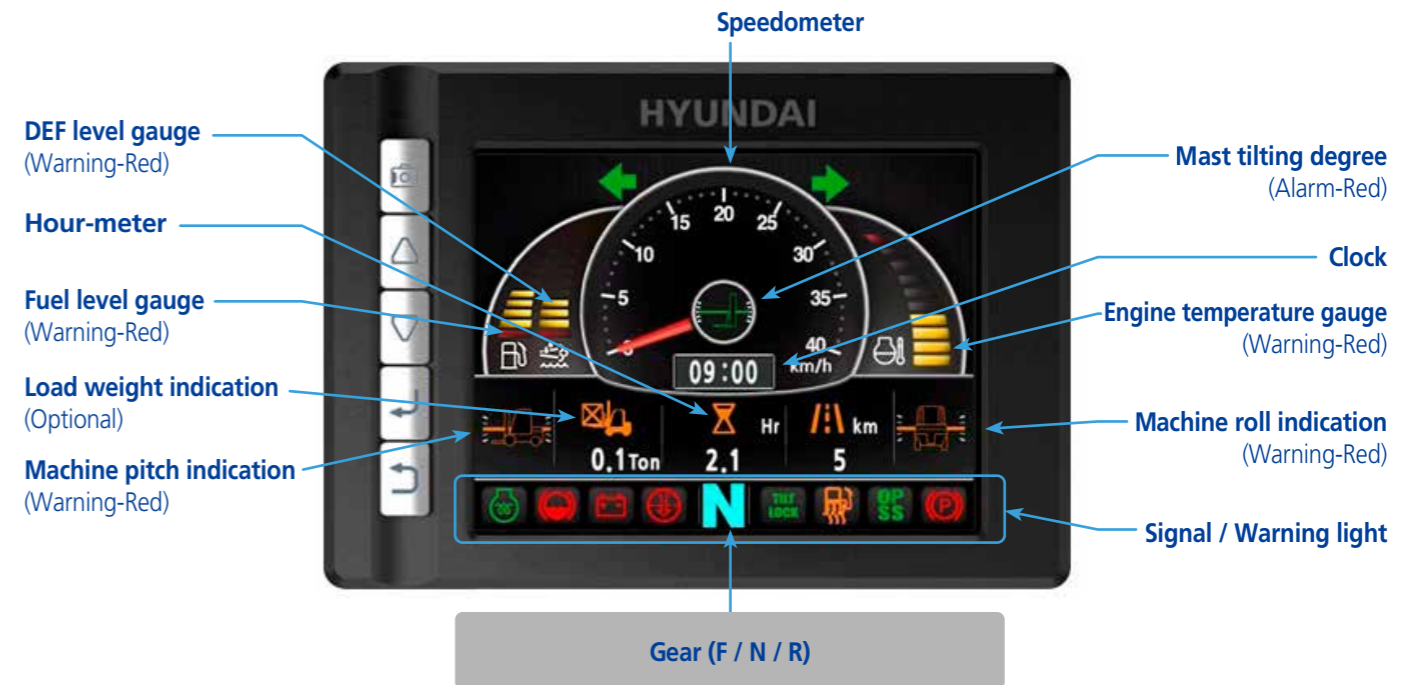
Adjustable Steering Wheel

To achieve a comfortable drive position, the angle of the steering column can easily be adjusted by a lever on the right-hand side of the steering column.

Grammer Seat (STD)

An attractive and adjustable seat, based on a human engineering design, provides great comfort. And the angle of the armrest can be adjusted to reduce the fatigue of the driver.

- Applied the weight of the driver (45~170kg)
- ELR type seat belt standard
- Heater and Head Rest (Option)



Advanced LCD Monitor

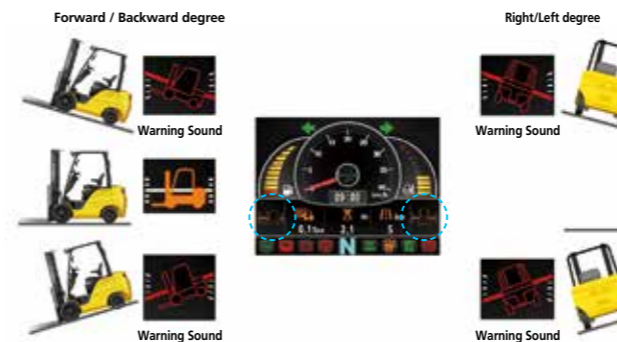
The 5.6 inch wide screen LCD color monitor allows the operator to control the machine with ease. The monitor features speed, travel direction, battery discharge indicator and hour meter.



Automatic Gear Box

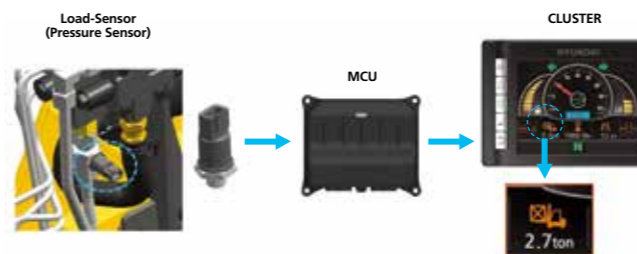
Automatic transmission is speed controlled:

- During acceleration when the speed reaches 7 km/h second gear is selected .
- When decelerating shift down to first speed is done at 5 km/h.



Truck Inclination Warning System

To improve the productivity and safety, the truck inclination warning system will monitor and indicate forward/backward, right/left degree of the forklift. The alarm alerts the operator when the forklift degree is over the ISO standard.



Load Weight Indicator (OPT)

The optional load indicator displays the load weight on the monitor. The load sensor reduces the time to check loaded weight and the alarm alerts the driver when overloaded.

Advanced Safety



The safely designed driver's space makes your operating more comfortable.

35/40/45D-9
50DA-9



*Some of the photos may include optional equipment.

Excellent Visibility for Safe Operation

Optimized lift cylinder arrangement provides operator with wider visibility. The panoramic mirror expands the driver's view when backing up.



Strong Overhead Guard

Exceeding CEE and ANSI regulations, the overhead guard offers optimal protection combined with excellent all round visibility.



Low Entrance Height

The low entrance height ensures easy and safe access for the operator.

Fork Safety Features

When the forks are being lowered, a down-control valve maintains the controlled speed. The down-safety valve prevents forks from dropping down in case of sudden damage of hydraulic line.

OPSS (Operator Presence Sensing System)

All mast and drive movements stop functioning when the operator is not in the seat.

Lift Lock Tilt Lock Drive Lock



*Some of the photos may include optional equipment.



Safety Lamps & Rear Reflectors

Halogen headlights and rear LED combination lights offer the driver visibility in all circumstances. Rear reflectors mounted on the counterweight enhance safety for the driver and the application.

Fast and Easy Maintenance

An ideal arrangement of components ensures easy access and convenience for maintenance.

35/40/45D-9
50DA-9



*Some of the photos may include optional equipment.

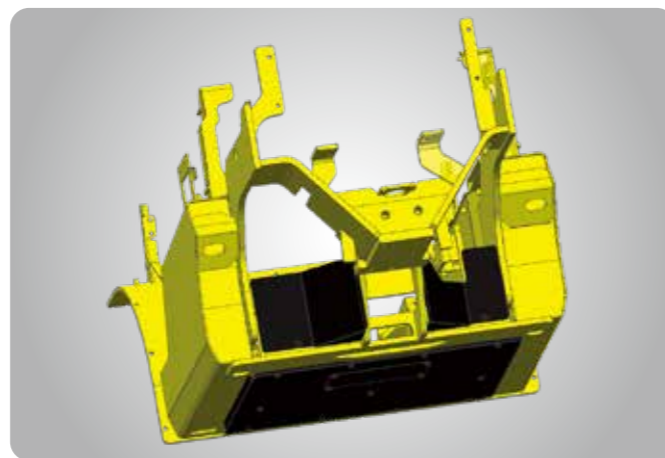
Large Engine Hood

Highly accessible engine compartment assures fast and efficient maintenance. The enlarged air cleaner(8") has extended service time of engine.



Waterproof & Dustproof Cover

Newly developed Waterproof and Dustproof fuse box and relay box for ease of maintenance.



Rear Tire Cover / Under Cover (OPT)

The rear tire cover is well-suited to prevent clogging of the radiator from foreign substances. / The Under cover protect the engine and components from dusts caused by ground. It helps to lengthen Components life.



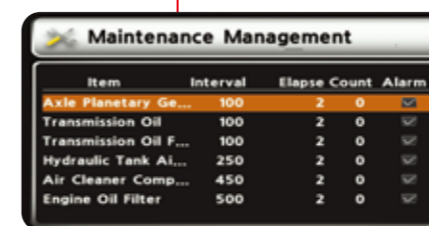
*Some of the photos may include optional equipment.



Rear View Camera (OPT)



Emergency Switch



Maintenance Management Display



Password Starting System
(Anti-theft system)



Fuel Cover with Key

New 9 Series



Mast Specification (35D-9)

| Mast Type | Maximum Fork Height | | Overall Height(Lowered) | | | | Free Lift Height | | | | Tilt Angle Fwd / Bwd | | Load Capacity w/o side shift | | | | Load Capacity w/side shift | | | | Truck Weight (Unloaded) | | | | |
|---------------------------|------------------------|-------|-------------------------|-------|-------------|-------|--------------------|------|-----------------------|------|----------------------|------|------------------------------|----------|-------------|----------|----------------------------|----------|-------------|----------|-------------------------|----------|-------------|-------------|-------------|
| | | | Single Tire | | Double Tire | | With Load Backrest | | Without Load Backrest | | | | Single Tire | | Double Tire | | Single Tire | | Double Tire | | Single Tire | | Double Tire | | |
| | in | mm | in | mm | in | mm | in | mm | in | mm | deg | deg | 24 in LC | 600mm LC | 24 in LC | 600mm LC | 24 in LC | 600mm LC | 24 in LC | 600mm LC | 24 in LC | 600mm LC | Single Tire | Double Tire | Single Tire |
| 2-Stage Limited free lift | V270 | 107.1 | 2720 | 82.1 | 2085 | 81.5 | 2070 | 4.7 | 120 | 4.7 | 120 | 8 | 10 | 8000 | 3500 | 8000 | 3500 | 8000 | 3500 | 8000 | 3500 | 12989 | 5904 | 13330 | 6059 |
| | * V300 | 118.9 | 3020 | 88.0 | 2235 | 87.4 | 2220 | 4.7 | 120 | 4.7 | 120 | 8 | 10 | 8000 | 3500 | 8000 | 3500 | 8000 | 3500 | 8000 | 3500 | 13055 | 5934 | 13396 | 6089 |
| | V330 | 130.7 | 3320 | 93.9 | 2385 | 93.3 | 2370 | 4.7 | 120 | 4.7 | 120 | 8 | 10 | 8000 | 3500 | 8000 | 3500 | 8000 | 3500 | 8000 | 3500 | 13138 | 5972 | 13479 | 6127 |
| | V350 | 138.6 | 3520 | 99.8 | 2535 | 99.2 | 2520 | 4.7 | 120 | 4.7 | 120 | 8 | 10 | 8000 | 3500 | 8000 | 3500 | 8000 | 3500 | 8000 | 3500 | 13189 | 5995 | 13530 | 6150 |
| | V370 | 146.5 | 3720 | 103.7 | 2635 | 103.1 | 2620 | 4.7 | 120 | 4.7 | 120 | 8 | 10 | 8000 | 3500 | 8000 | 3500 | 8000 | 3500 | 8000 | 3500 | 13233 | 6015 | 13574 | 6170 |
| | V400 | 158.3 | 4020 | 112.0 | 2845 | 111.4 | 2830 | 4.7 | 120 | 4.7 | 120 | 8 | 10 | 8000 | 3500 | 8000 | 3500 | 7480 | 3400 | 7590 | 3450 | 13325 | 6057 | 13666 | 6212 |
| | V430 | 170.1 | 4320 | 117.9 | 2995 | 117.3 | 2980 | 4.7 | 120 | 4.7 | 120 | 8 | 10 | 8000 | 3500 | 8000 | 3500 | 7370 | 3350 | 7480 | 3400 | 13391 | 6087 | 13732 | 6242 |
| | V450 | 178.0 | 4520 | 121.9 | 3095 | 121.3 | 3080 | 4.7 | 120 | 4.7 | 120 | 8 | 6 | 8000 | 3500 | 8000 | 3500 | 7260 | 3300 | 7370 | 3350 | 13574 | 6170 | 13915 | 6325 |
| | V500 | 197.6 | 5020 | 131.7 | 3345 | 131.1 | 3330 | 4.7 | 120 | 4.7 | 120 | 8 | 6 | 7480 | 3400 | 8000 | 3500 | 7040 | 3200 | 7150 | 3250 | 13686 | 6221 | 14027 | 6376 |
| | 2-Stage full free lift | VF280 | 110.4 | 2805 | 84.1 | 2135 | 83.5 | 2120 | 36.7 | 931 | 49.5 | 1258 | 8 | 8 | 8000 | 3500 | 8000 | 3500 | 8000 | 3500 | 8000 | 3500 | 13079 | 5945 | 13413 |
| VF300 | | 118.3 | 3005 | 88.0 | 2235 | 87.4 | 2220 | 40.6 | 1031 | 53.5 | 1358 | 8 | 8 | 8000 | 3500 | 8000 | 3500 | 8000 | 3500 | 8000 | 3500 | 13136 | 5971 | 13471 | 6123 |
| VF315 | | 124.2 | 3155 | 91.5 | 2325 | 90.9 | 2310 | 44.1 | 1121 | 57.0 | 1448 | 8 | 8 | 8000 | 3500 | 8000 | 3500 | 8000 | 3500 | 8000 | 3500 | 13178 | 5990 | 13515 | 6143 |
| 3-Stage full free lift | TF/TS370 | 146.9 | 3730 | 80.1 | 2035 | 79.5 | 2020 | 32.4 | 822 | 45.2 | 1149 | 8 | 8 | 8000 | 3500 | 8000 | 3500 | 7370 | 3350 | 7590 | 3450 | 13554 | 6161 | 13895 | 6316 |
| | TF/TS400 | 158.7 | 4030 | 84.1 | 2135 | 83.5 | 2120 | 36.3 | 922 | 49.2 | 1249 | 8 | 8 | 8000 | 3500 | 8000 | 3500 | 7260 | 3300 | 7480 | 3400 | 13620 | 6191 | 13961 | 6346 |
| | TF/TS430 | 170.5 | 4330 | 88.0 | 2235 | 87.4 | 2220 | 40.2 | 1022 | 53.1 | 1349 | 8 | 8 | 8000 | 3500 | 8000 | 3500 | 7150 | 3250 | 7370 | 3350 | 13688 | 6222 | 14029 | 6377 |
| | TF/TS450 | 177.6 | 4510 | 90.4 | 2295 | 90.2 | 2290 | 42.6 | 1082 | 55.5 | 1409 | 8 | 8 | 8000 | 3500 | 8000 | 3500 | 7040 | 3200 | 7260 | 3300 | 13730 | 6241 | 14071 | 6396 |
| | TF/TS470 | 185.8 | 4720 | 93.9 | 2385 | 94.1 | 2390 | 46.1 | 1172 | 59.0 | 1499 | 8 | 8 | 7480 | 3400 | 8000 | 3500 | 6930 | 3150 | 7150 | 3250 | 13809 | 6277 | 14150 | 6432 |
| | TF/TS500 | 197.6 | 5020 | 97.8 | 2485 | 97.2 | 2470 | 50.1 | 1272 | 63.0 | 1599 | 8 | 6 | 7260 | 3300 | 7480 | 3400 | 6820 | 3100 | 7040 | 3200 | 13860 | 6300 | 14201 | 6455 |
| | TF/TS550 | 217.3 | 5520 | 104.9 | 2665 | 104.3 | 2650 | 57.2 | 1452 | 70.0 | 1779 | 8 | 6 | 7040 | 3200 | 7260 | 3300 | 6270 | 2850 | 6820 | 3100 | 13994 | 6361 | 14335 | 6516 |
| | TF/TS600 | 237.4 | 6030 | 112.0 | 2845 | 111.4 | 2830 | 64.3 | 1632 | 77.1 | 1959 | 8 | 6 | 6820 | 3100 | 7040 | 3200 | 5390 | 2450 | 6600 | 3000 | 14146 | 6430 | 14487 | 6585 |
| | TF/TS650 | 257.5 | 6540 | 119.1 | 3025 | 118.5 | 3010 | 71.3 | 1812 | 84.2 | 2139 | 8 | 6 | 6600 | 3000 | 6600 | 3000 | 5170 | 2350 | 6380 | 2900 | 14236 | 6471 | 14577 | 6626 |

Mast Specification (45D-9)

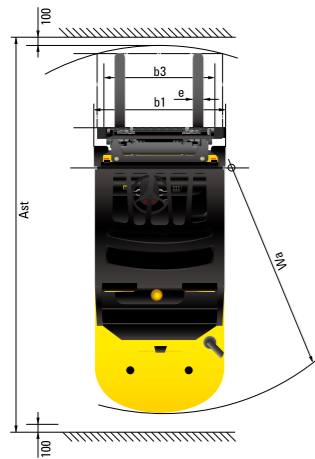
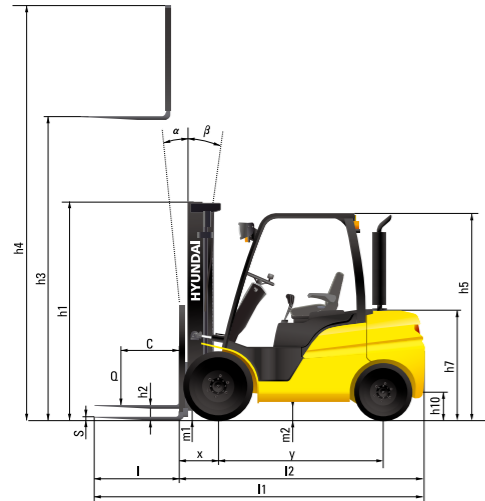
| Mast Type | Maximum Fork Height | | Overall Height(Lowered) | | | | Free Lift Height | | | | Tilt Angle Fwd / Bwd | | Load Capacity w/o side shift | | | | Load Capacity w/side shift | | | | Truck Weight (Unloaded) | | | | |
|---------------------------|------------------------|-------|-------------------------|-------|-------------|-------|--------------------|------|-----------------------|------|----------------------|------|------------------------------|----------|-------------|----------|----------------------------|----------|-------------|----------|-------------------------|----------|-------------|-------------|-------------|
| | | | Single Tire | | Double Tire | | With Load Backrest | | Without Load Backrest | | | | Single Tire | | Double Tire | | Single Tire | | Double Tire | | Single Tire | | Double Tire | | |
| | in | mm | in | mm | in | mm | in | mm | in | mm | deg | deg | 24 in LC | 600mm LC | 24 in LC | 600mm LC | 24 in LC | 600mm LC | 24 in LC | 600mm LC | 24 in LC | 600mm LC | Single Tire | Double Tire | Single Tire |
| 2-Stage Limited free lift | V270 | 107.1 | 2720 | 82.1 | 2085 | 81.5 | 2070 | 4.7 | 120 | 4.7 | 120 | 8 | 10 | 10000 | 4500 | 10000 | 4500 | 10000 | 4500 | 10000 | 4500 | 14837 | 6744 | 15114 | 6870 |
| | * V300 | 118.9 | 3020 | 88.0 | 2235 | 87.4 | 2220 | 4.7 | 120 | 4.7 | 120 | 8 | 10 | 10000 | 4500 | 10000 | 4500 | 10000 | 4500 | 10000 | 4500 | 14903 | 6774 | 15180 | 6900 |
| | V330 | 130.7 | 3320 | 93.9 | 2385 | 93.3 | 2370 | 4.7 | 120 | 4.7 | 120 | 8 | 10 | 10000 | 4500 | 10000 | 4500 | 10000 | 4500 | 10000 | 4500 | 14986 | 6812 | 15264 | 6938 |
| | V350 | 138.6 | 3520 | 99.8 | 2535 | 99.2 | 2520 | 4.7 | 120 | 4.7 | 120 | 8 | 10 | 10000 | 4500 | 10000 | 4500 | 10000 | 4500 | 10000 | 4500 | 15037 | 6835 | 15314 | 6961 |
| | V370 | 146.5 | 3720 | 103.7 | 2635 | 103.1 | 2620 | 4.7 | 120 | 4.7 | 120 | 8 | 10 | 10000 | 4500 | 10000 | 4500 | 9680 | 4400 | 9680 | 4400 | 15081 | 6855 | 15358 | 6981 |
| | V400 | 158.3 | 4020 | 112.0 | 2845 | 111.4 | 2830 | 4.7 | 120 | 4.7 | 120 | 8 | 10 | 10000 | 4500 | 10000 | 4500 | 9570 | 4350 | 9570 | 4350 | 15173 | 6897 | 15451 | 7023 |
| | V430 | 170.1 | 4320 | 115.9 | 2945 | 117.3 | 2980 | 4.7 | 120 | 4.7 | 120 | 8 | 10 | 10000 | 4500 | 10000 | 4500 | 9460 | 4300 | 9460 | 4300 | 15239 | 6927 | 15517 | 7053 |
| | V450 | 178.0 | 4520 | 121.9 | 3095 | 121.3 | 3080 | 4.7 | 120 | 4.7 | 120 | 8 | 6 | 10000 | 4500 | 10000 | 4500 | 9240 | 4200 | 9240 | 4200 | 15422 | 7010 | 15699 | 7136 |
| | V500 | 197.6 | 5020 | 131.7 | 3345 | 131.1 | 3330 | 4.7 | 120 | 4.7 | 120 | 8 | 6 | 9680 | 4400 | 9680 | 4400 | 8910 | 4050 | 8910 | 4050 | 15534 | 7061 | 15811 | 7187 |
| | 2-Stage full free lift | VF280 | 110.4 | 2805 | 84.1 | 2135 | 83.5 | 2120 | 33.6 | 853 | 56.8 | 1442 | 8 | 8 | 10000 | 4500 | 10000 | 4500 | 10000 | 4500 | 10000 | 4500 | 14916 | 6780 | 15193 |
| VF300 | | 118.3 | 3005 | 88.0 | 2235 | 87.4 | 2220 | 37.5 | 953 | 60.7 | 1542 | 8 | 8 | 10000 | 4500 | 10000 | 4500 | 10000 | 4500 | 10000 | 4500 | 14973 | 6806 | 15250 | 6932 |
| VF315 | | 124.2 | 3155 | 91.5 | 2325 | 90.9 | 2310 | 41.1 | 1043 | 63.1 | 1602 | 8 | 8 | 10000 | 4500 | 10000 | 4500 | 10000 | 4500 | 10000 | 4500 | 15015 | 6825 | 15292 | 6951 |
| 3-Stage full free lift | TF/TS370 | 146.9 | 3730 | 80.1 | 2035 | 79.5 | 2020 | 31.3 | 796 | 43.9 | 1114 | 8 | 8 | 10000 | 4500 | 10000 | 4500 | 9570 | 4350 | 9570 | 4350 | 15402 | 7001 | 15684 | 7129 |
| | TF/TS400 | 158.7 | 4030 | 84.1 | 2135 | 83.5 | 2120 | 35.3 | 896 | 47.8 | 1214 | 8 | 8 | 10000 | 4500 | 10000 | 4500 | 9460 | 4300 | 9460 | 4300 | 15468 | 7031 | 15750 | 7159 |
| | TF/TS430 | 170.5 | 4330 | 88.0 | 2235 | 87.4 | 2220 | 39.2 | 996 | 51.7 | 1314 | 8 | 8 | 10000 | 4500 | 10000 | 4500 | 9240 | 4200 | 9240 | 4200 | 15536 | 7062 | 15818 | 7190 |
| | TF/TS450 | 177.6 | 4510 | 90.4 | 2295 | 90.2 | 2290 | 41.6 | 1056 | 54.1 | 1374 | 8 | 8 | 10000 | 4500 | 10000 | 4500 | 9130 | 4150 | 9130 | 4150 | 15578 | 7081 | 15860 | 7209 |
| | TF/TS470 | 185.8 | 4720 | 93.9 | 2385 | 94.1 | 2390 | 45.1 | 1145 | 58.4 | 1484 | 8 | 8 | 9680 | 4400 | 9680 | 4400 | 9020 | 4100 | 9020 | 4100 | 15657 | 7117 | 15941 | 7246 |
| | TF/TS500 | 197.6 | 5020 | 97.8 | 2485 | 97.2 | 2470 | 49.1 | 1246 | 61.6 | 1564 | 8 | 6 | 9460 | 4300 | 9460 | 4300 | 8800 | 4000 | 8800 | 4000 | 15708 | 7140 | 15992 | 7269 |
| | TF/TS550 | 217.3 | 5520 | 104.9 | 2665 | 104.3 | 2650 | 56.1 | 1426 | 68.7 | 1744 | 8 | 6 | 9240 | 4200 | 9240 | 4200 | 8470 | 3850 | 8470 | 3850 | 15844 | 7202 | 16126 | 7330 |
| | TF/TS600 | 237.4 | 6030 | 112.0 | 2845 | 111.4 | 2830 | 63.2 | 1606 | 75.7 | 1924 | 8 | 6 | 8800 | 4000 | 8800 | 4000 | 7150 | 3250 | 8250 | 3750 | 15994 | 7270 | 16276 | 7398 |
| | TF/TS650 | 257.5 | 6540 | 119.1 | 3025 | 118.5 | 3010 | 70.3 | 1786 | 82.8 | 2104 | 8 | 6 | 8580 | 3900 | 8580 | 3900 | 6930 | 3150 | 8030 | 3650 | 16086 | 7312 | 16368 | 7440 |

Mast Specification (40D-9)

| Mast Type | Maximum Fork Height | | Overall Height(Lowered) | | | | Free Lift Height | | | | Tilt Angle Fwd / Bwd | | Load Capacity w/o side shift | | | | Load Capacity w/side shift | | | | Truck Weight (Unloaded) | | | | |
|---------------------------|---------------------|-------|-------------------------|------|-------------|------|--------------------|-----|-----------------------|-----|----------------------|-----|------------------------------|----------|-------------|----------|----------------------------|----------|-------------|----------|-------------------------|----------|-------------|-------------|-------------|
| | | | Single Tire | | Double Tire | | With Load Backrest | | Without Load Backrest | | | | Single Tire | | Double Tire | | Single Tire | | Double Tire | | Single Tire | | Double Tire | | |
| | in | mm | in | mm | in | mm | in | mm | in | mm | deg | deg | 24 in LC | 600mm LC | 24 in LC | 600mm LC | 24 in LC | 600mm LC | 24 in LC | 600mm LC | 24 in LC | 600mm LC | Single Tire | Double Tire | Single Tire |
| 2-Stage Limited free lift | V270 | 107.1 | 2720 | 82.1 | 2085 | 81.5 | 2070 | 4.7 | 120 | 4.7 | 120 | 8 | 10 | 9000 | 4000 | 9000 | 4000 | 9000 | 4000 | 9000 | 4000 | 13966 | 6348 | 14199 | 6454 |
| | * V300 | 118.9 | 3020 | 88.0 | 2235 | 87.4 | 2220 | 4.7 | 120 | 4.7 | 120 | 8 | 10 | 9000 | 4000 | 9000 | 4000 | 9000 | 4000 | 9000 | 4000 | 14032 | 6378 | 14265 | 6484 |
| | V330 | 130.7 | 3320 | 93.9 | 2385 | 93.3 | 2370 | 4.7 | 120 | 4.7 | 120 | 8 | 10 | 9000 | 4000 | 9000 | 4000 | 9000 | 4000 | 9000 | 4000 | 14115 | 6416 | 14348 | 6522 |
| | V350 | 138.6 | 3520 | 99.8 | 2535 | 99.2 | 2520 | 4.7 | 120 | 4. | | | | | | | | | | | | | | | |

New 9 Series

Dimension

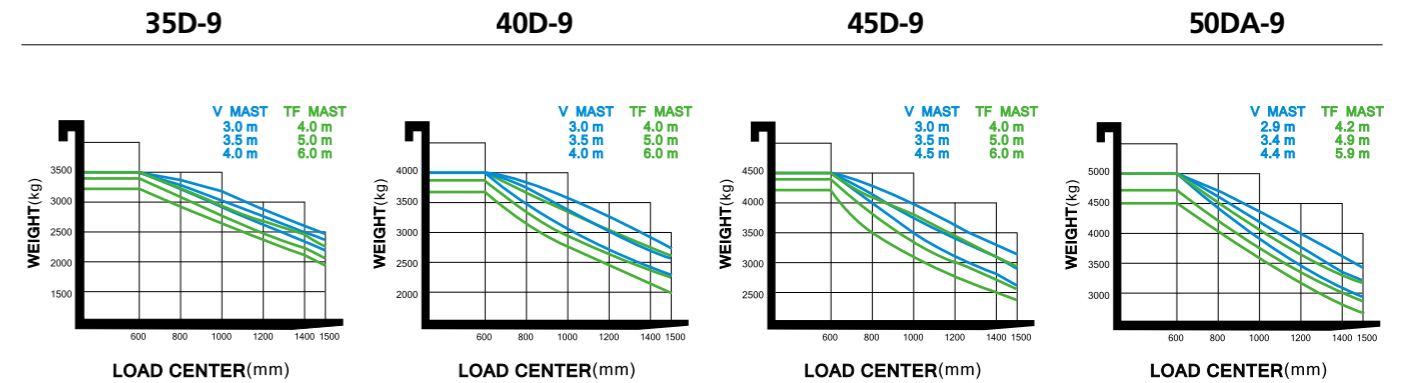


Specification

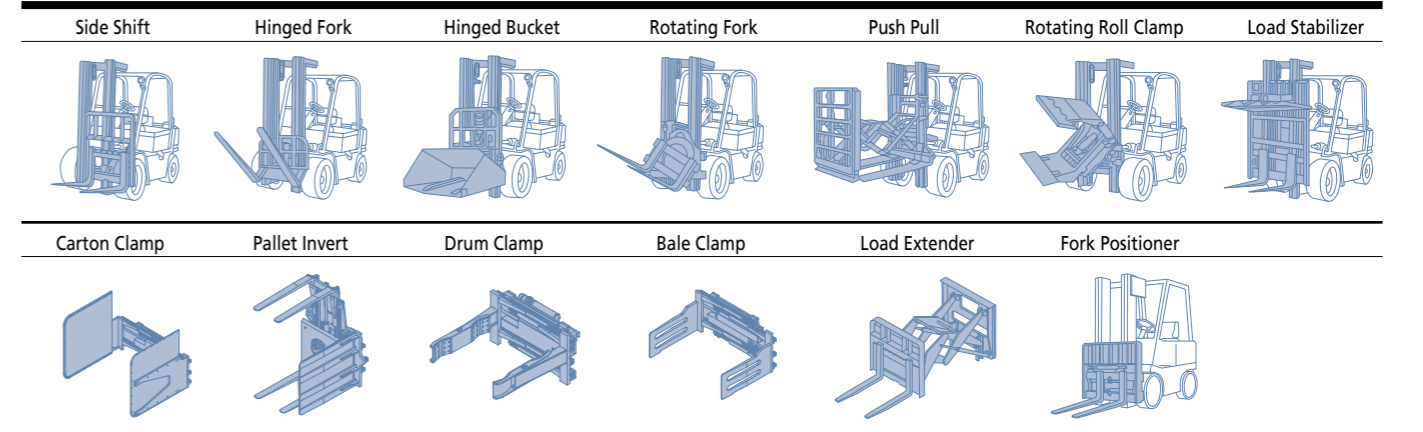
| IDENTIFICATION | | | | |
|------------------|--|-------------------------------|------------------|------------------|
| 1.1 | Manufacturer | Hyundai | Hyundai | Hyundai |
| 1.2 | Manufacturer's model designation | 35D-9 | 40D-9 | 45D-9 |
| 1.3 | Drive: electric (battery or mains), diesel, petrol, fuel gas, manual | Diesel | Diesel | DIESEL |
| 1.4 | Type of operation: hand, pedestrian, standing, seated, order-picker | seated | seated | seated |
| 1.5 | Load capacity / Rated load | kg 3,500 | 4,000 | 4,500 |
| 1.6 | Load center distance | c mm 600 | 600 | 600 |
| 1.8 | Load distance, center of drive axle to fork | x mm 561 | 561 | 576 |
| 1.9 | Wheelbase | y mm 2,000 | 2,000 | 2,000 |
| WEIGHTS | | | | |
| 2.1 | Service weight | kg 5,934 | 6,484 | 6,900 |
| 2.2 | Axle loading, loaded front / rear | kg 8,141 / 1,293 | 9,107 / 1,376 | 9,891 / 1,509 |
| 2.3 | Axle loading, unloaded front / rear | kg 2,611 / 3,323 | 2,787 / 3,696 | 2,781 / 4,119 |
| WHEELS, CHASSIS | | | | |
| 3.1 | Tires ; Pneumatic(P), Solid(S), Non-marking(N) | P | P | P |
| 3.2 | Tires size, front | Single 8.25-15-14PR | 300-15-18PR | 300-15-18PR |
| | Double | 7.50-16-12PR | 7.50-16-12PR | 7.50-16-12PR |
| 3.3 | Tires size, rear | 7.00-12-12PR | 7.00-12-12PR | 7.00-12-14PR |
| 3.4 | Number of wheels front / rear (x=driven wheels) | 2 x 2 | 4 x 2 | 4 x 2 |
| 3.6 | Track width, front | Single mm 1,132 | 1,120 | 1,120 |
| | Double | mm 1,282 | 1,282 | 1,282 |
| 3.7 | Track width, rear | mm 1,140 | 1,140 | 1,140 |
| BASIC DIMENSIONS | | | | |
| 4.1 | Mast / fork carriage tilt forward / backward (α / β) | degrees 8 / 10 | 8 / 10 | 8 / 10 |
| 4.2 | Lowered mast height | h1 (mm) 2,235 | 2,220 | 2,220 |
| 4.3 | Free lift | h2 (mm) 120 | 120 | 120 |
| 4.4 | Lift height | h3 (mm) 3,020 | 3,020 | 2,930 |
| 4.5 | Extended mast height | h4 (mm) 4,234 | 4,234 | 4,147 |
| 4.7 | Overhead guard height (cabin) | h5 (mm) 2,220 (2,360) | 2,210 (2,350) | 2,210 (2,350) |
| 4.8 | Seat height / standing height rel. to SIP | h7 (mm) 1,070 | 1,070 | 1,070 |
| 4.12 | Coupling height | h10 (mm) 364 | 364 | 364 |
| 4.19 | Overall length | l1 (mm) 4,295 | 4,295 | 4,484 |
| 4.20 | Length to face of forks | l2 (mm) 3,225 | 3,225 | 3,264 |
| 4.21 | Overall width | Single b1 (mm) 1,370 | 1,418 | 1,418 |
| | Double | b1 (mm) 1,740 | 1,740 | 1,740 |
| 4.22 | Fork dimensions(hook type) | l/e / s (mm) 1,070 x 122 x 50 | 1,070 x 150 x 50 | 1,220 x 150 x 60 |
| 4.23 | Fork carriage ISO 2328, class / type A,B | III / A | III / A | IV / A |
| 4.24 | Fork-carriage width | b3 (mm) 1,300 | 1,600 | 1,600 |
| 4.31 | Ground clearance, loaded, under mast | m1 (mm) 170 | 155 | 155 |
| 4.32 | Ground clearance, centre of wheelbase | m2 (mm) 200 | 185 | 168 |
| 4.33 | Aisle width for pallets 1,000x1,200 crossways (LxW) | Ast (mm) 4,711 | 4,711 | 4,751 |
| 4.34 | Aisle width for pallets 800x1,200 lengthways (WxL) | Ast (mm) 4,911 | 4,911 | 4,951 |
| 4.35 | Turning radius | Wa (mm) 2,950 | 2,950 | 2,990 |
| 4.36 | Smallest pivot point distance | 1,009 | 1,009 | 1,009 |
| PERFORMANCE DATA | | | | |
| 5.1 | Travel speed, unloaded | km/h 26.6 | 25.7 | 25.6 |
| 5.2 | Lift speed, loaded/ unloaded | mm/s 510 / 540 | 500 / 540 | 490 / 540 |
| 5.3 | Lowering speed, loaded/unloaded | mm/s 500 / 500 | 500 / 500 | 500 / 500 |
| 5.5 | Drawbar pull, loaded | N 38,946 | 39,181 | 39,240 |
| 5.7 | Gradient performance, loaded | % 40.9 | 36.4 | 33.2 |
| 5.9 | Acceleration time, loaded/ unloaded(10m) | sec - | - | - |
| 5.10 | Service brake (Foot) | Hydraulic | | |
| ENGINE | | | | |
| 6.1 | Engine manufacturer / type | CUMMINS / QSF3.8 | | |
| 6.2 | Engine power acc. to ISO 1585 | kW/rpm 75 / 2,200 | 75 / 2,200 | 75 / 2,200 |
| 6.3 | Maximum Torque | kgf.m/rpm 42.3 / 1,600 | 42.3 / 1,600 | 42.3 / 1,600 |
| 6.4 | No. of cylinder / cubic capacity | EA/cc 4 / 3,726 | 4 / 3,726 | 4 / 3,726 |
| OTHER DETAILS | | | | |
| 8.1 | Type of drive control | Power shift 2/2 | | |
| 8.2 | Operating pressure, System / Attachments | bar 206 / 147 | 206 / 147 | 206 / 147 |
| 8.3 | Oil volume for attachments | ℓ/min 100 | 100 | 100 |

35/40/45D-9 50DA-9

Load Capacity



Various Attachments



Optional Items

- Fork(mm)
 - 35/40D-9 : 1070(STD), 1220, 1370, 1520, 1670, 1820, 1970, 2120, 2400
 - 45D-9 : 1070, 1220(STD), 1370, 1520, 1670, 1820, 1970, 2200, 2400
 - 50DA-9 : 1200, 1350, 1500, 1800, 2000, 2400
- Fork positioner, Sideshift
- Tire : Pneumatic(STD) / Solid(superelastic) / Non-marking / Front single / double tire
- M.C.V : 3-Spool(STD), 4-Spool, 5-Spool
- Seat : Armrest, Heat, Backrest Ext, Buckle SW
- Load weight indicator
- Auto Fork Leveling System
- Rear View Camera
- Cabin (Heater & Air Conditioner)
- Hydraulic Pump Temperature / Pressure Monitor
- Battery Disconnect Switch (Master Switch)
- Beacon Lamp (LED) (Amber)
- Rear Work Lamp or LED Rear work lamp
- F-N-R & Horn Knob switch
- Rear Horn
- LED front work lamp
- Overhead guard(high:2340mm)
- OPSS(Travel, Travel + Mast)
- Under Cover